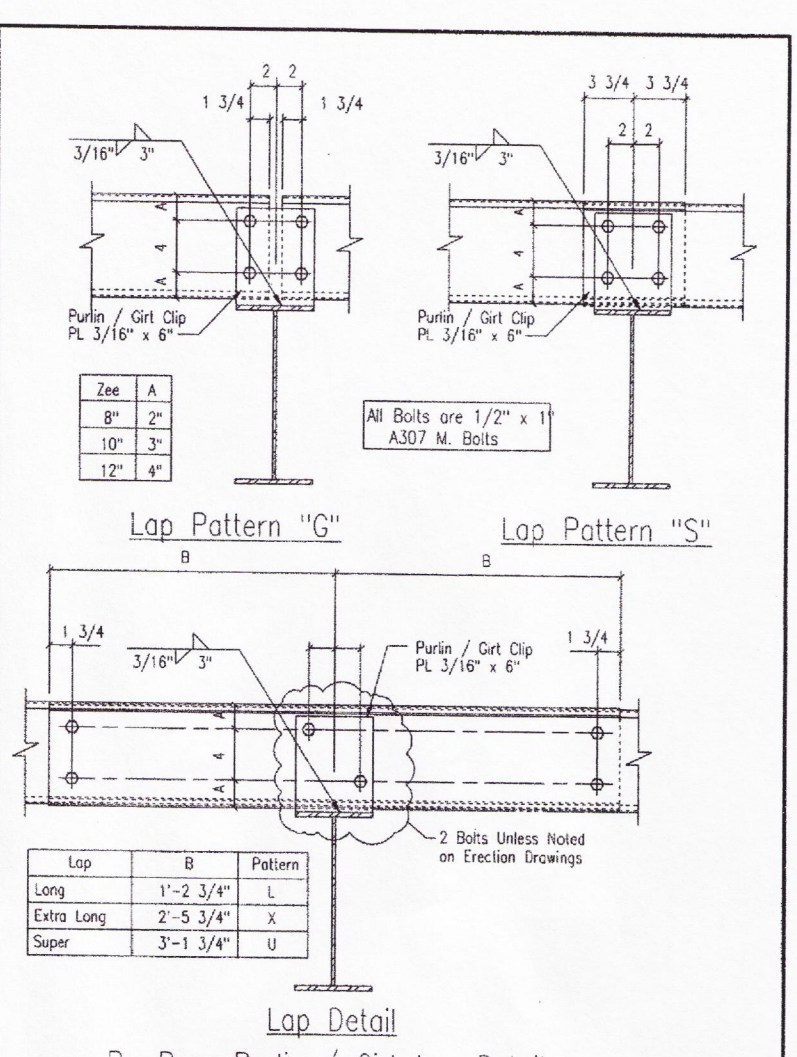
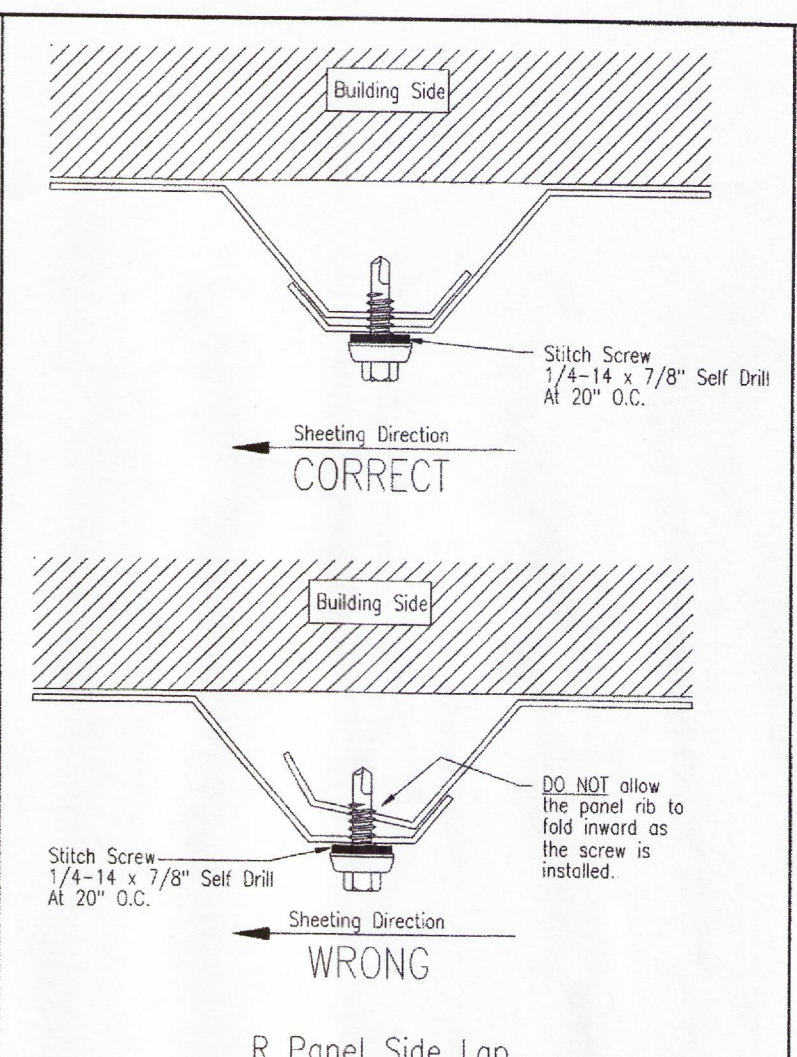
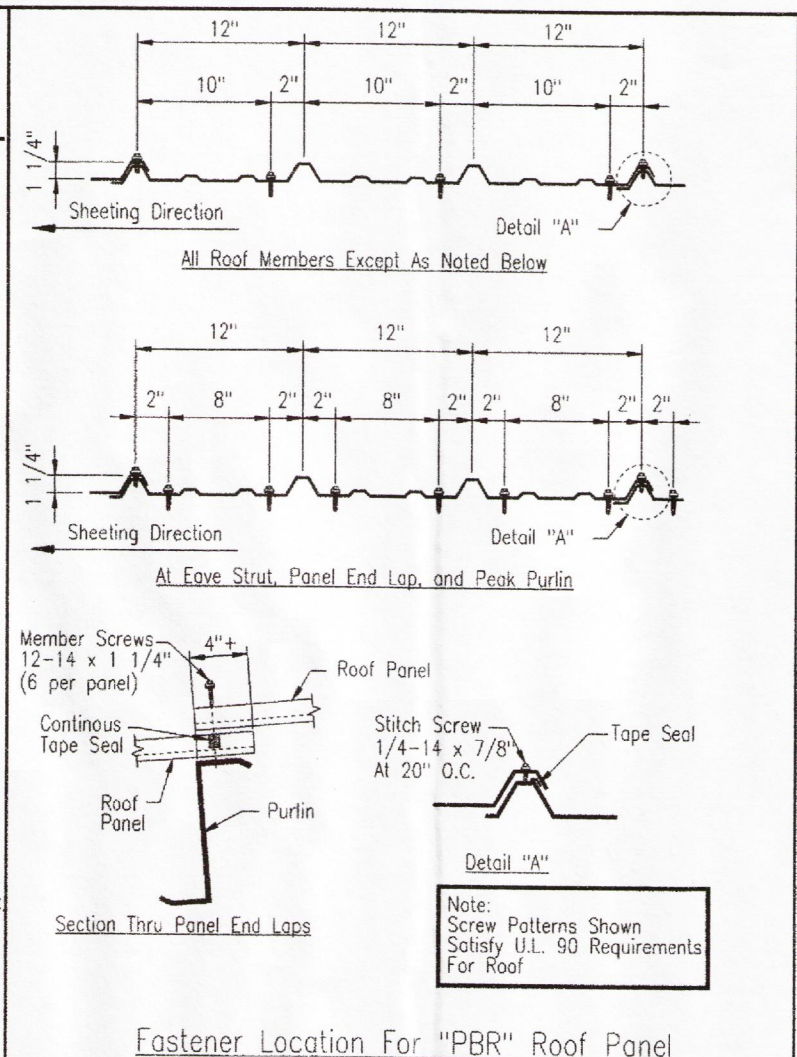
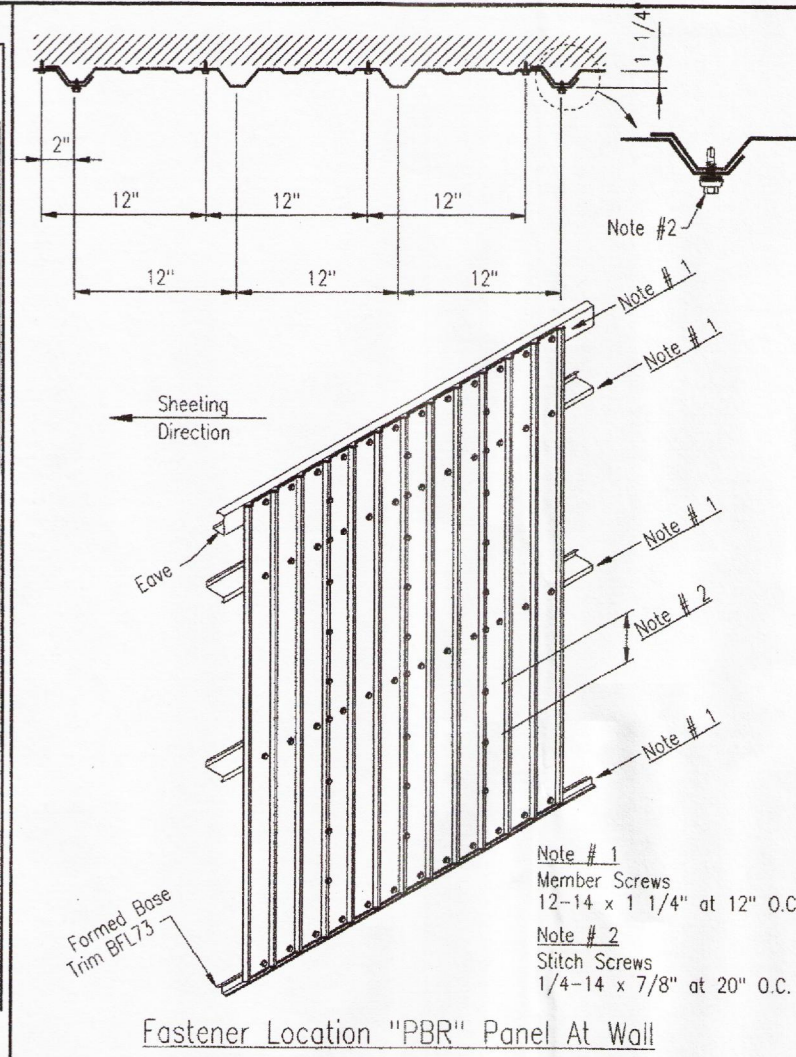


Cold Formed Steel Components Yield Strength = 57.0 K.S.I. (Typ.)

Section Name	Dimensions			Member Properties				Shape		
	D	B1	B2	Lip	Ga	Area	Ix		Iy	Sx
8 Z 16	8	2 1/2	2 1/2	911	16	0.822	7.759	1.081	1.747	
8 Z 14	8	2 1/2	2 1/2	830	14	0.976	9.177	1.289	2.137	
8 Z 13	8	2 1/2	2 1/2	856	13	1.185	11.093	1.577	2.724	
8 Z 12	8	2 1/2	2 1/2	890	12	1.463	13.624	1.967	3.347	
10 x 2 Z 14	10	2 1/2	2 1/2	930	14	1.116	15.642	1.290	2.858	
10 x 2 Z 13	10	2 1/2	2 1/2	856	13	1.355	18.933	1.578	3.727	
10 x 2 Z 12	10	2 1/2	2 1/2	890	12	1.673	23.285	1.968	4.586	
10 x 3 Z 14	10	3 1/2	3 1/2	930	14	1.256	19.094	3.077	2.907	
10 x 3 Z 13	10	3 1/2	3 1/2	856	13	1.525	23.112	3.759	3.933	
10 x 3 Z 12	10	3 1/2	3 1/2	890	12	1.883	28.427	4.681	4.932	
12 Z 14	12	3 1/2	3 1/2	930	14	1.396	29.321	3.078	3.470	
12 Z 13	12	3 1/2	3 1/2	856	13	1.695	35.515	3.760	4.733	
12 Z 12	12	3 1/2	3 1/2	890	12	2.093	43.723	4.682	6.374	

Section Name	Dimensions			Member Properties				Shape		
	D	B1	B2	Lip	Ga	Area	Ix		Iy	Sx
8 x 2 1/2 C 16	8	2 1/2	2 1/2	773	16	0.822	7.791	0.675	1.668	
8 x 2 1/2 C 14	8	2 1/2	2 1/2	800	14	0.976	9.210	0.800	2.049	
8 x 2 1/2 C 12	8	2 1/2	2 1/2	885	12	1.463	13.643	1.156	3.412	
8 x 3 1/2 C 16	8	3 1/2	3 1/2	773	16	0.940	9.652	1.523	1.712	
8 x 3 1/2 C 14	8	3 1/2	3 1/2	800	14	1.116	11.411	1.808	2.251	
8 x 3 1/2 C 12	8	3 1/2	3 1/2	885	12	1.673	16.921	2.712	3.574	
10 x 3 1/2 C 16	10	3 1/2	3 1/2	885	16	1.883	28.456	2.912	4.861	
12 x 3 1/2 C 16	12	3 1/2	3 1/2	885	12	2.093	43.758	3.071	6.293	

Section Name	Dimensions			Member Properties				Shape		
	D	B1	B2	Lip	Ga	Area	Ix		Iy	Sx
8 E.S. 16	8	3 1/2	5	1,088	16	1.058	10.936	2.902	1.890	
8 E.S. 14	8	3 1/2	5	1,114	14	1.256	12.924	3.440	2.499	
8 E.S. 12	8	3 1/2	5	1,200	12	1.883	19.143	5.142	4.001	
10 E.S. 14	10	3 1/2	5	1,114	14	1.396	21.670	3.697	3.161	
10 E.S. 12	10	3 1/2	5	1,200	12	2.093	32.195	5.537	5.458	
12 E.S. 14	12	3 1/2	5	1,114	14	1.536	33.201	3.907	3.815	
12 E.S. 12	12	3 1/2	5	1,200	12	2.303	49.422	5.855	7.067	



NS0067

CEES

DEPTH	FLANGE	PROFILE	GAGE	LEFT	RIGHT	COUNTER
3	3	4	4	G	G	1
Depth Code	Profile Code	Left / Right End Punch				
8 = 8"	C = Cee	NP = No Holes				
10 = 10"		G = Simple				
12 = 12"		S = Multi Holes				
Flange Code	Gage Code	Counter				
3 = 3 1/2"	2 = 12 ga.	A numerical part number from 1 to 999				
	3 = 13 ga.					
	4 = 14 ga.					
	6 = 16 ga.					

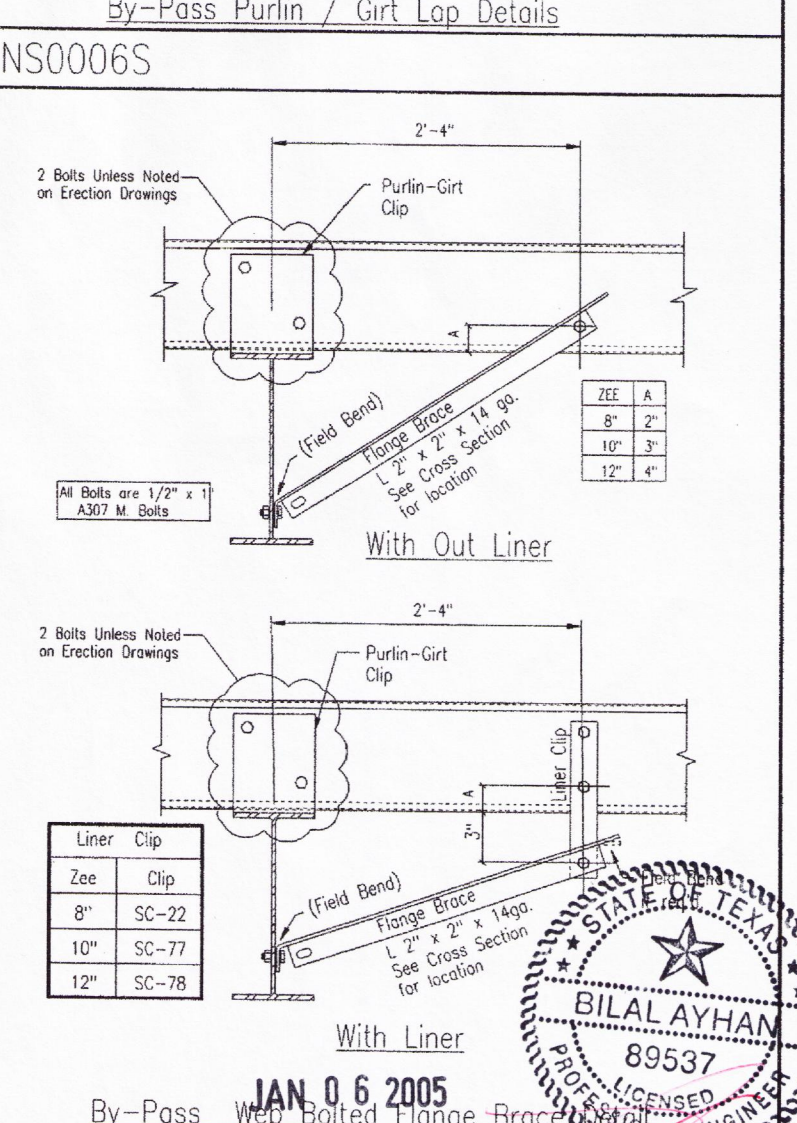
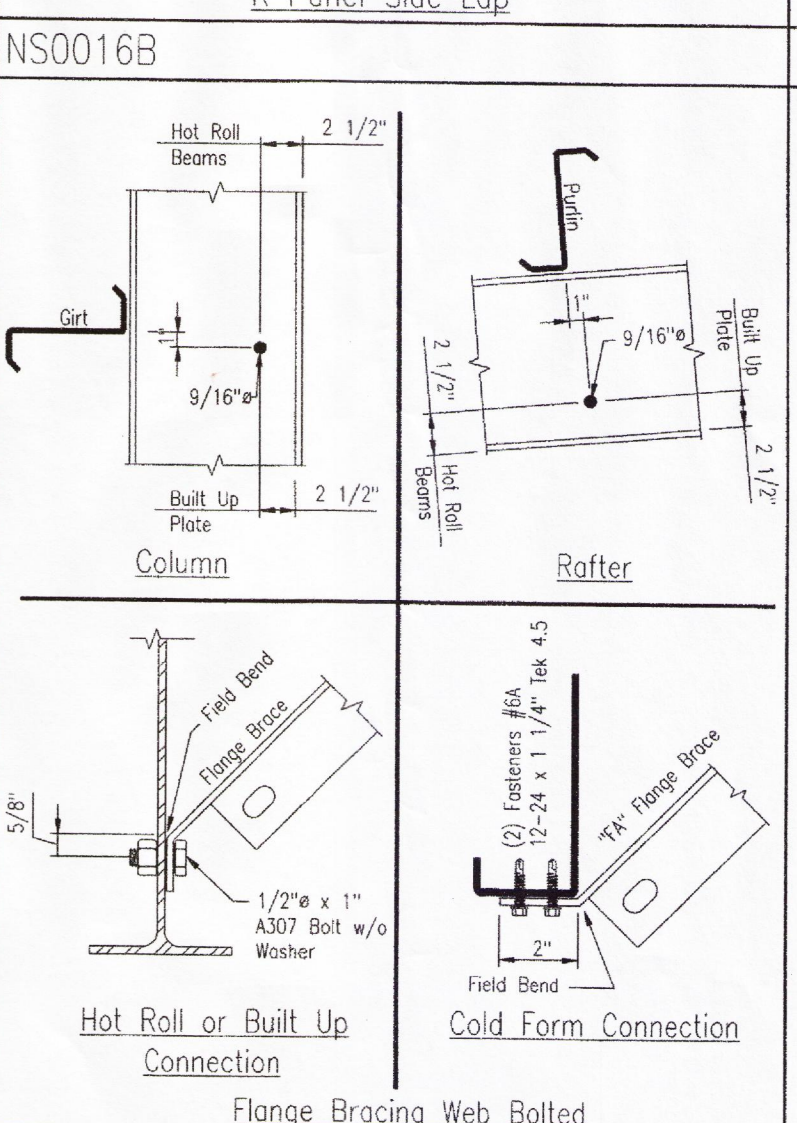
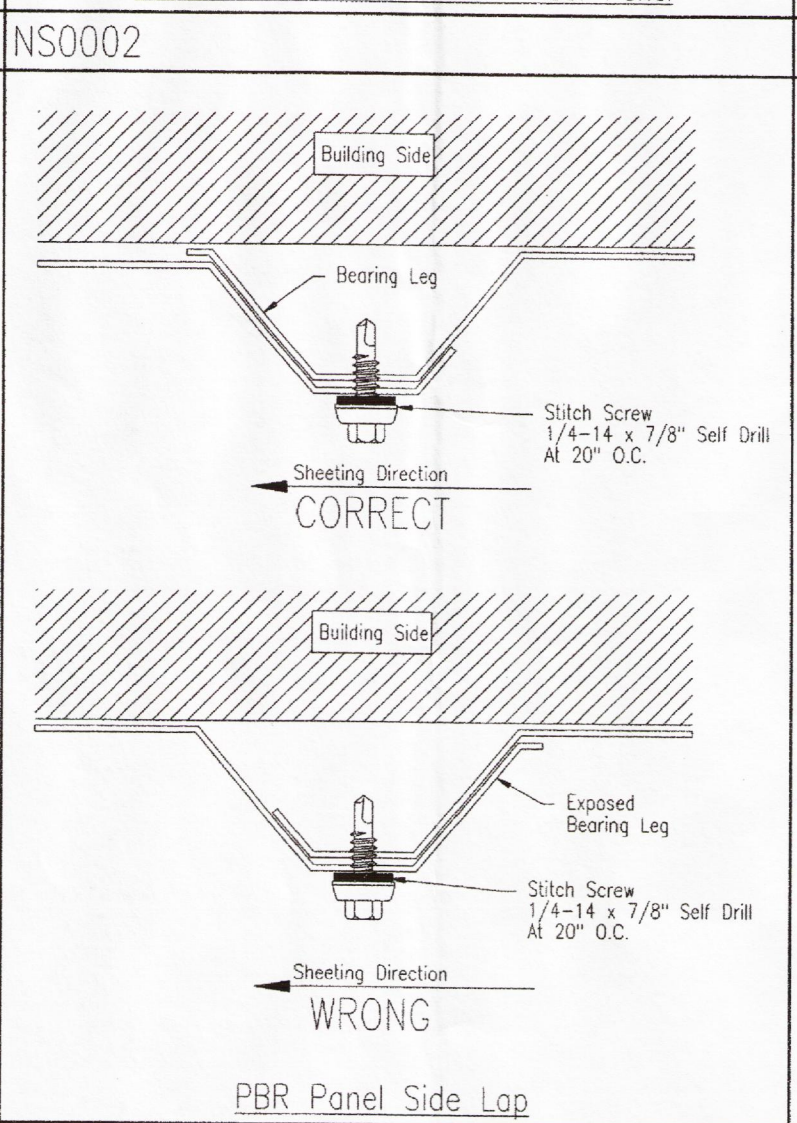
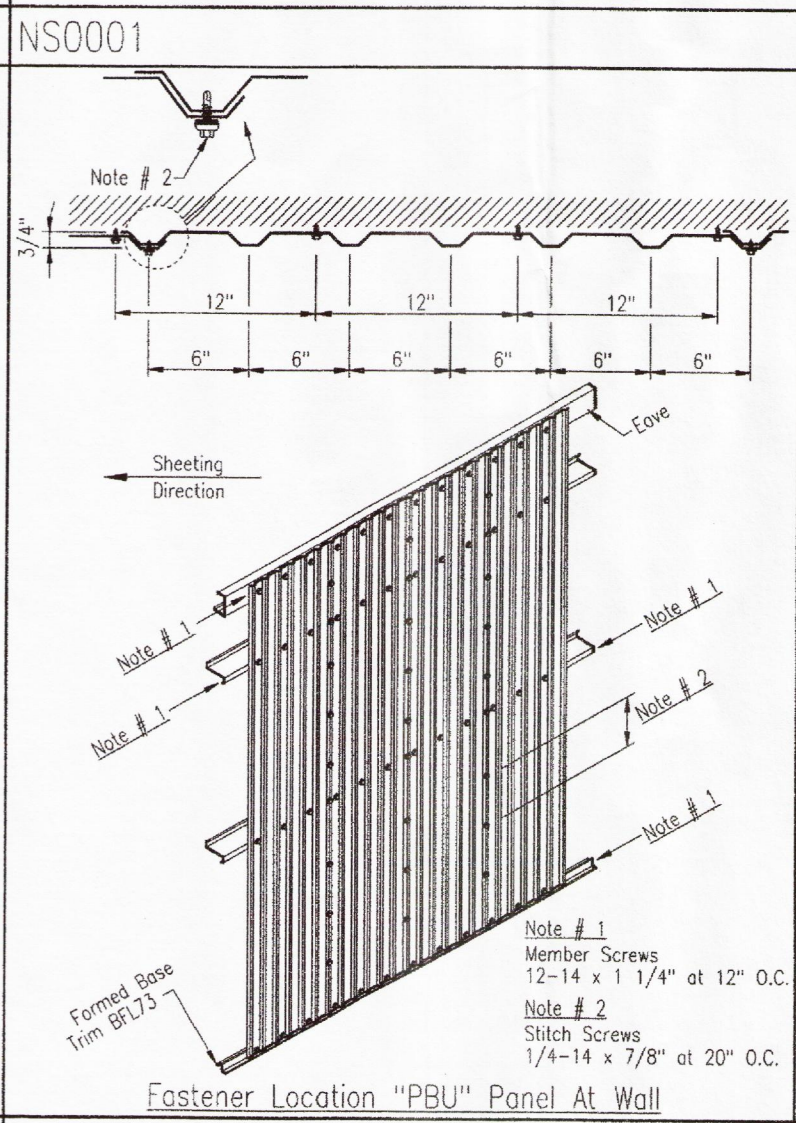
Zees

DEPTH	FLANGE	PROFILE	GAGE	LEFT	RIGHT	COUNTER
3	3	4	4	G	G	1
8 = 8"		2 = 12 ga.	Counter			
10 = 10"		3 = 13 ga.	A numerical part number from 1 to 999			
12 = 12"		4 = 14 ga.				
		6 = 16 ga.				
Flange Code	Left / Right End Punch					
2 = 2 1/2"	NP = No Holes (once)					
3 = 3 1/2"	C = Simple					
	S = Multi Holes					
Profile Code	L = Long					
Z = Zee	X = Extra Long					
	U = Super Lap					
	Y = Simple Span					

EAVE STRUTS

DEPTH	FLANGE	PROFILE	GAGE	LEFT	RIGHT	COUNTER	SLOPE
3	3	4	4	H	H	1	A
8 = 8"		2 = 12 ga.	Counter				
10 = 10"		4 = 14 ga.	A numerical part number from 1 to 999				
12 = 12"		6 = 16 ga.					
Flange Code	Left / Right End Punch	Slope Code					
3 = 3 3/8"	NP = No Holes (once)	A = 1/2:12					
5 = 4 1/2" or 5"	H = Simple	B = 1:12					
Profile Code	M = Old Multi Holes	C = 2:12					
EL = Eave Low	J = New Multi Holes	D = 3:12					
EH = Eave High		E = 4:12					

Cold Form Identification



NOTE:
1. These drawings are intended to depict general installation of item(s) described above. Some item(s) may have been omitted for clarity of presentation. Consult your erection manual or additional S-Sheets for further guidelines and/or clarifications.

NS0001

NS0002

NS0016B

NS0006S

NS0067A

NS0001B

NS0016A

NS0006G

MIDENGI, GRIMSNEI

Teikning yfirfarin og samþykkt. sbr. aðaltekni. verk nr. 20-46 nr. B-01.01 og B-01.02

Verkfræðistofa Njarðvíkur ehf. 17. jan 2005
Magnús R. Guðmannsson MVFI
kt. 160443-2869

REVISIONS

NO.	DATE	DESCRIPTION	BY	OK'D
0	11/8/04	FOR CONSTRUCTION		
1	12-20-04	REVISED FOR PERMITS/CONSTRUCTION	JAK	JAH

Customer: Texas Steel Buildings
End User: Toppurim UK LTD
Location: Iceland

Det. By: [Signature] Chk By: [Signature] Date: 11/8/04 Scale: N.T.S. Building ID: Job Number: 0105-220179 Sheet Number: S-1 Issue: 1

Standard Details