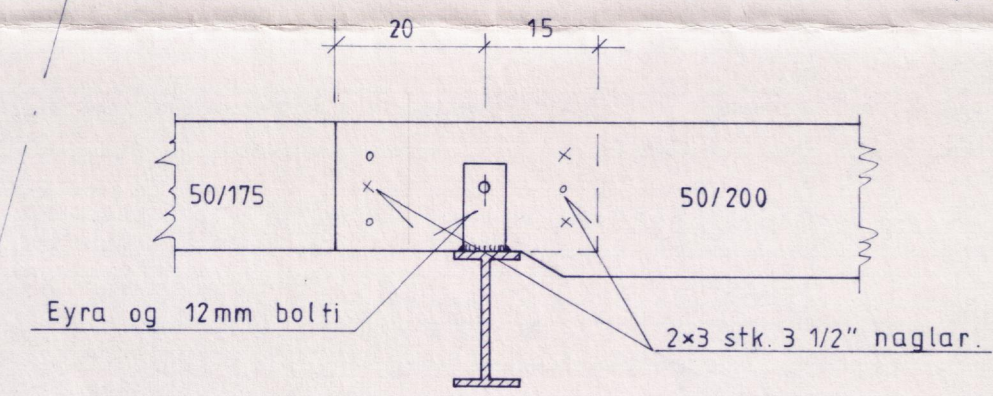


Snid A-A
M=1:20



Snid B-B
M=1:20