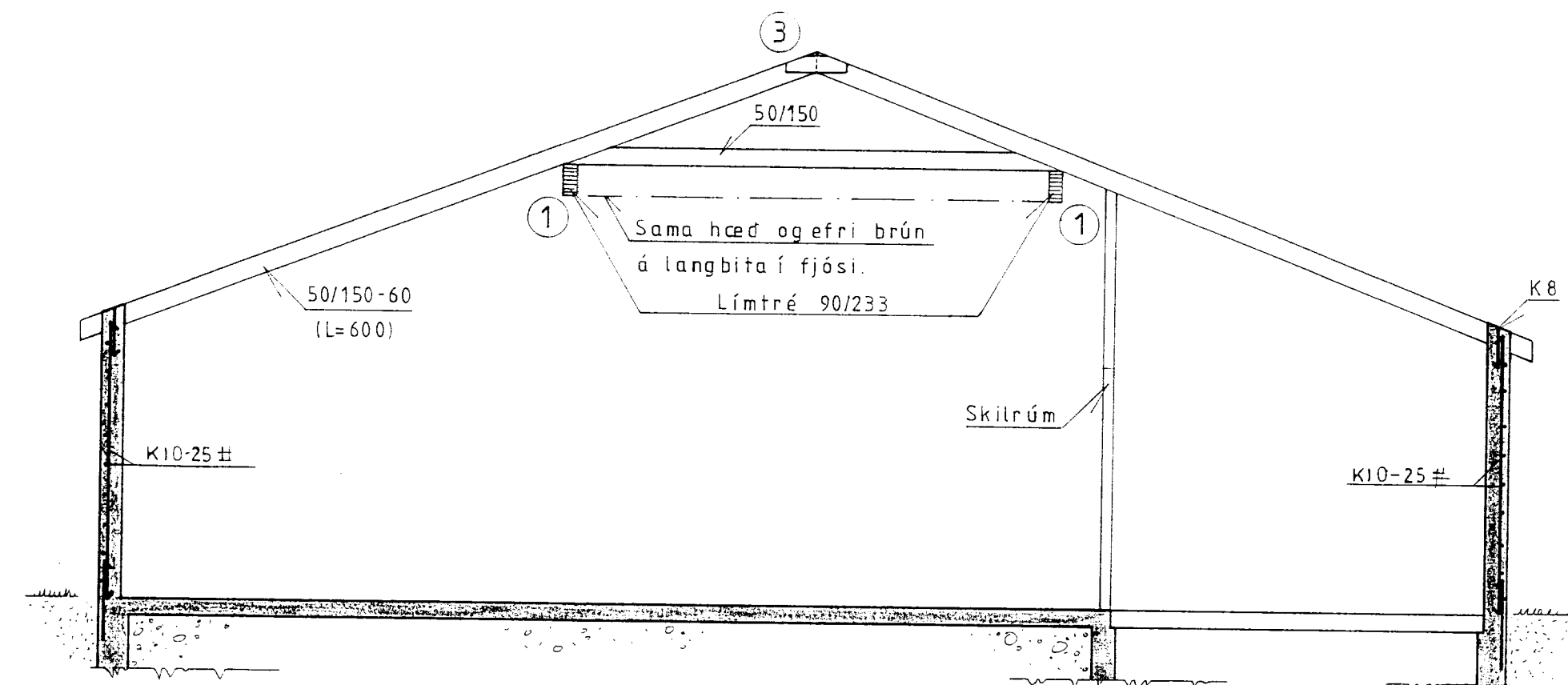
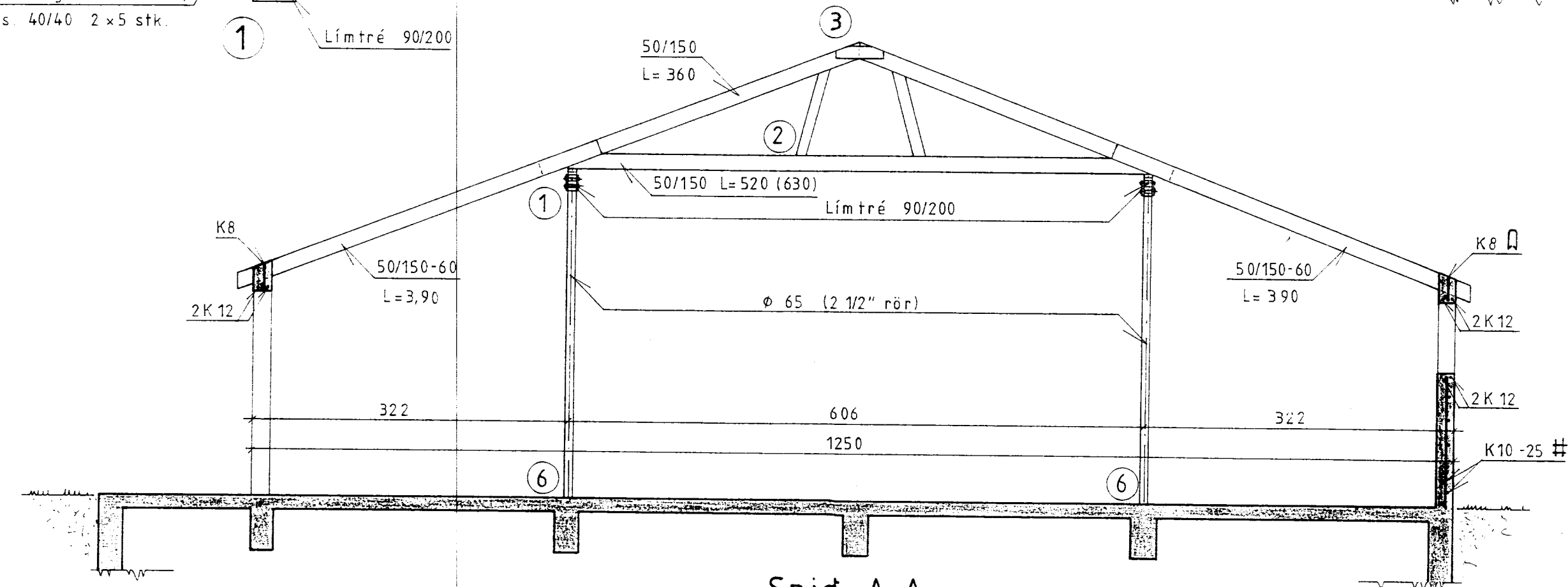


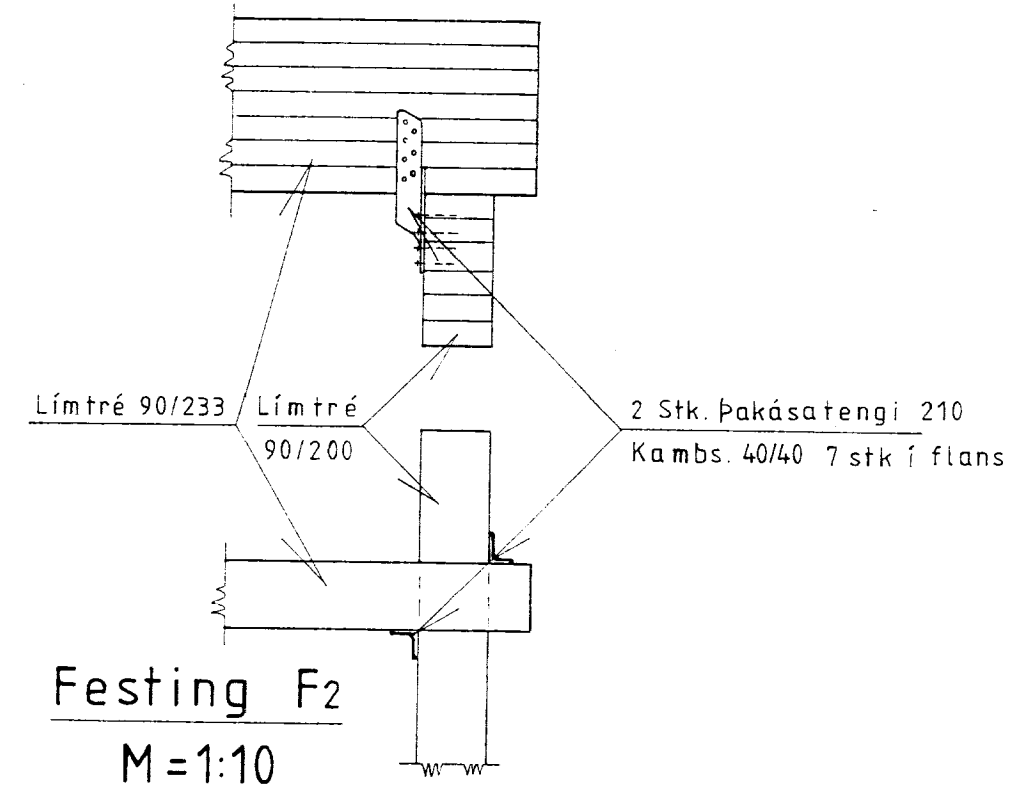
Deili M=1:10



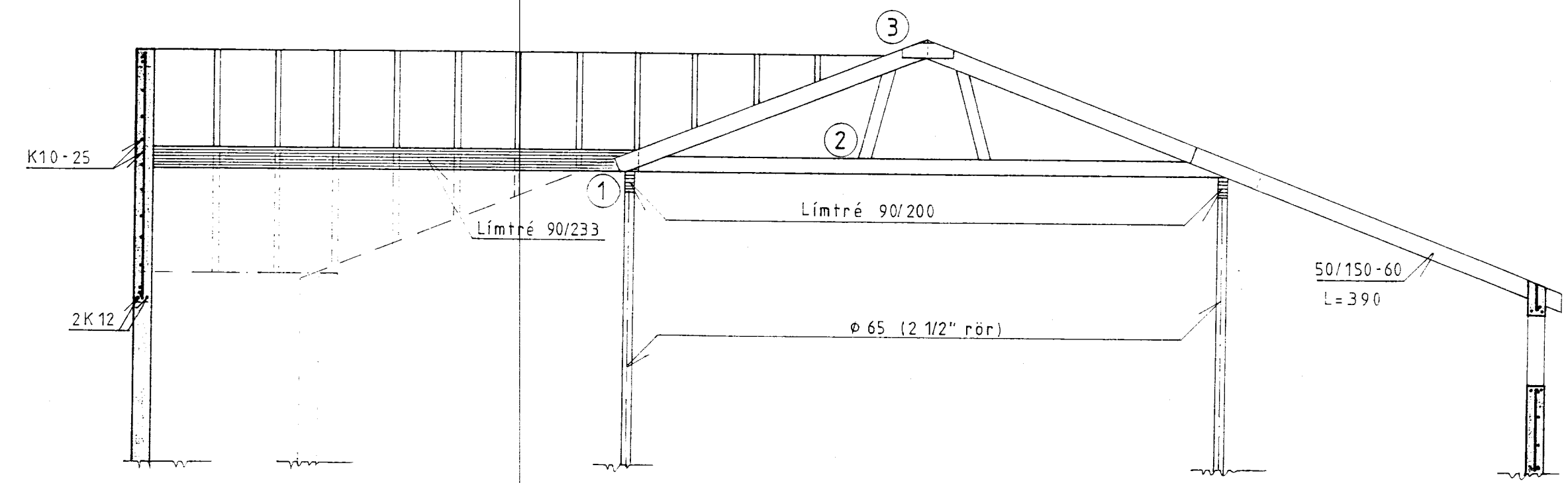
Snid C-C
M=1:50



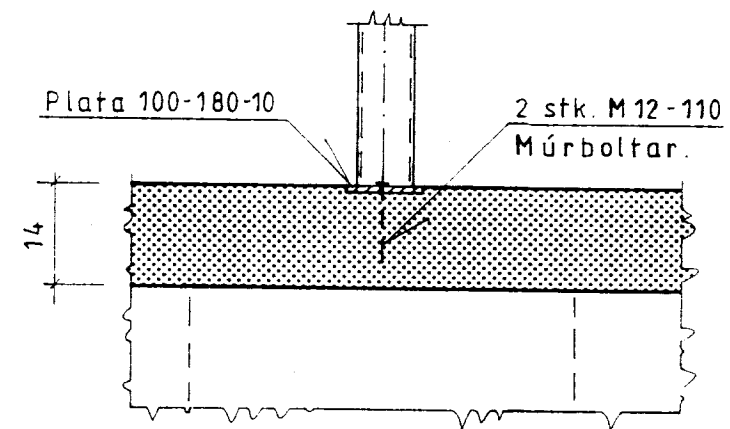
Snid A-A
M=1:50



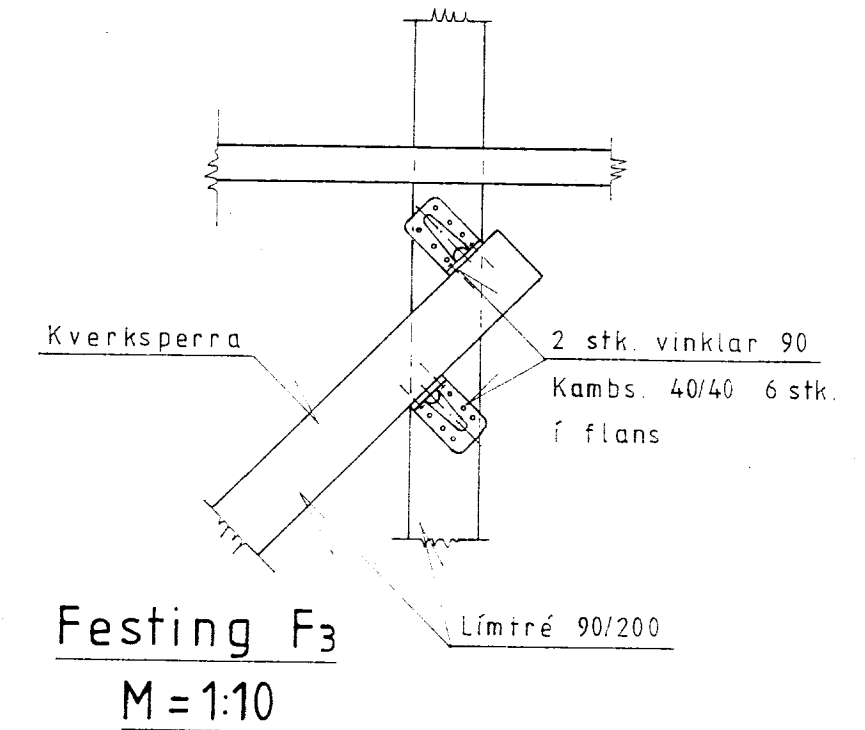
Festing F2
M=1:10



Snid B-B
M=1:50



6 Stodafesting
M=1:10



Festing F3
M=1:10