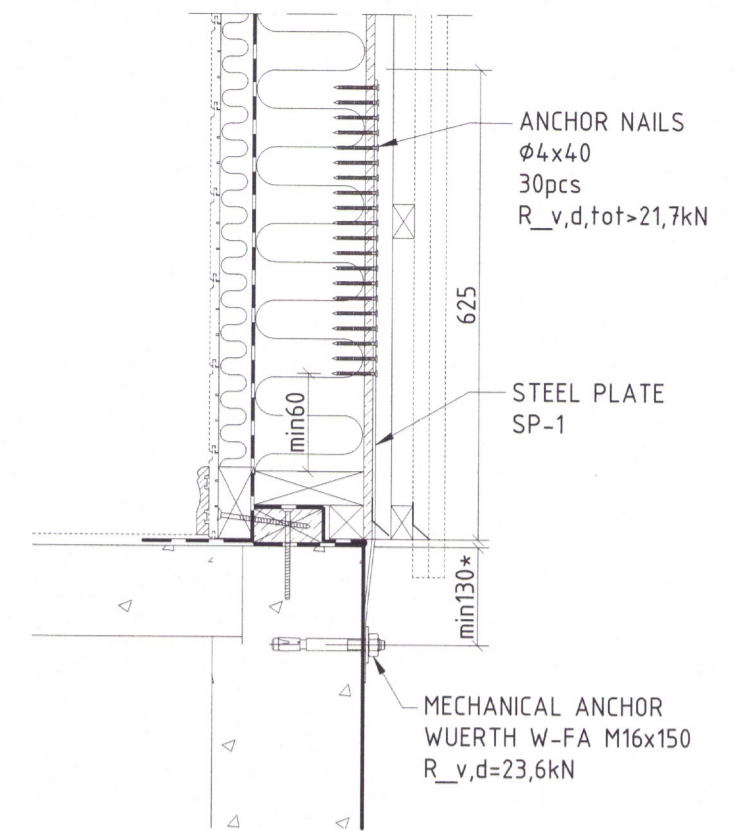
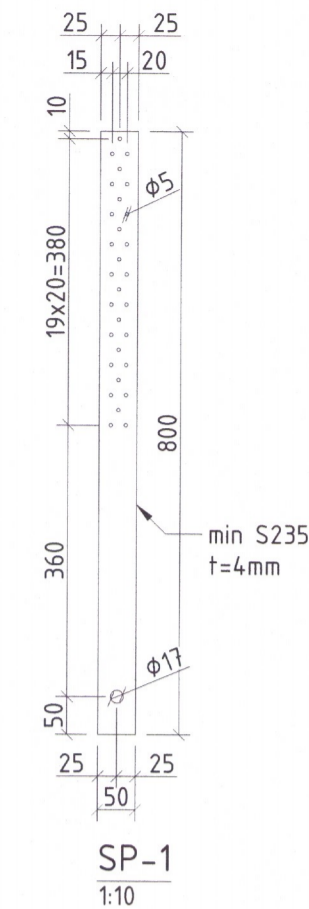
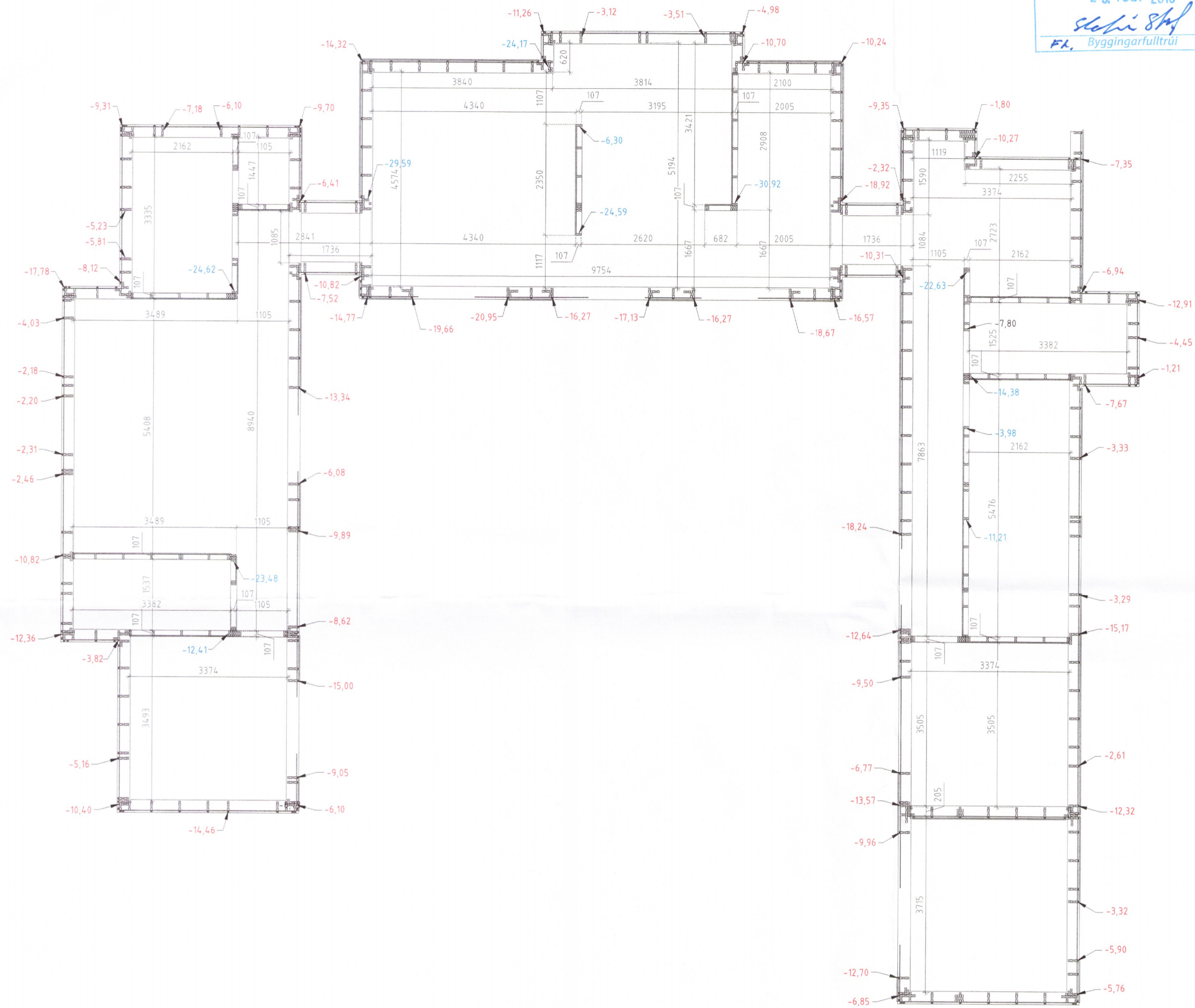
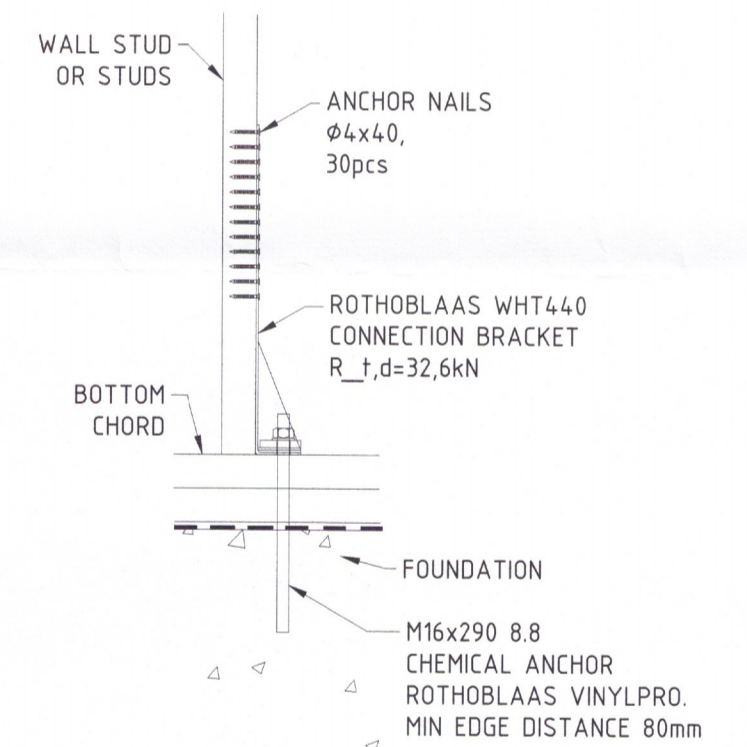


Umhverfis- og tæknisvið Uppsveita
Yfirfarið
23. feb. 2018
Stefni Skaf
FL Byggingarfulltrúi



DET 1 - PERIMETER ANCHORAGE $F_d < 21,7kN$
1:10

* MIN EDGE DISTANCE FROM OTHER FOUNDATION EDGES MUST ALSO BE OBSERVED!



DET 2 - INTERIOR ANCHORAGE $F_d < 32,6kN$
1:10

REMARKS:

- CHOICE OF CONNECTION ACCORDING TO TENSION FORCE SHOWN.
- ALL TENSION FORCES TO FOUNDATION ARE DESIGN VALUES (SHORT TERM, $k_{mod}=0,9$).
- INSTALLATION OF FASTENERS AND ANCHORS ACCORDING TO MANUFACTURER DESCRIPTIONS.

| | | | | |
|-----------------|------------|---|------------|------------|
| B | 1 | DRAWING AND DETAILS UPDATED | L. LÖVI | 09.01.2018 |
| A | 1 | NEW TENSION PLATE FOR PERIMETER CONNECTIONS | L. LÖVI | 26.09.2017 |
| MUUT | KOGUS | MUUDATUSE KIRJELDUS | NIMI | ALLKIRI |
| | | | | KUUPAEV |
| | | AS ARU GRUPP SKALABREKKUGATA 21 PRIVATE HOUSE | 4036 | |
| JONESTAJA | L. LÖVI | KONTROLLJIA | L. LÖVI | |
| PROJEKTEERJIA | L. LÖVI | VASTUAV SPETSIAUST | L. LÖVI | |
| PROJEKTI NUMBER | 17-013 | KUUPAEV | 18.09.2017 | |
| STAADIUM | DC | FORMAAT | A2 | |
| MÖÖTKAVA | 1:75, 1:10 | JONISE NR | DC-101 | |
| MUUT | B | | | |

