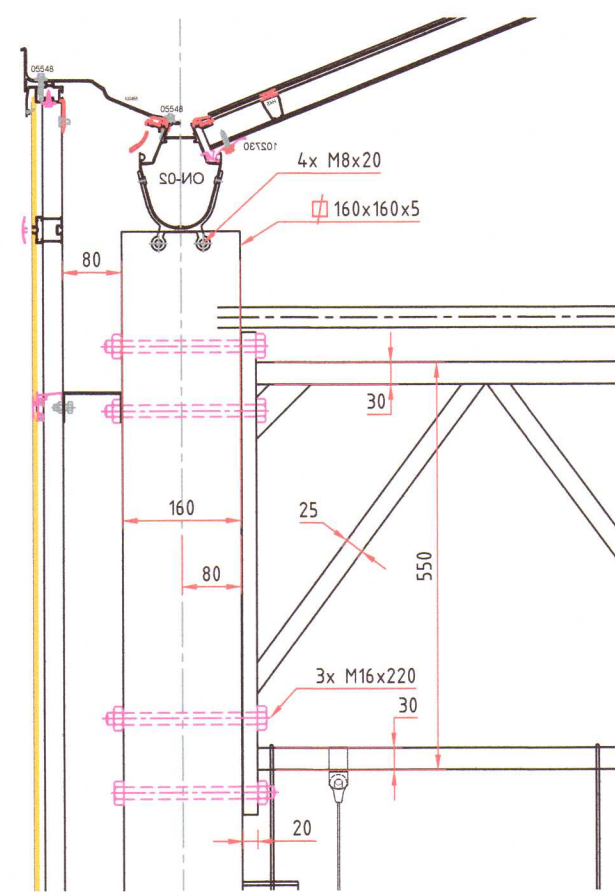
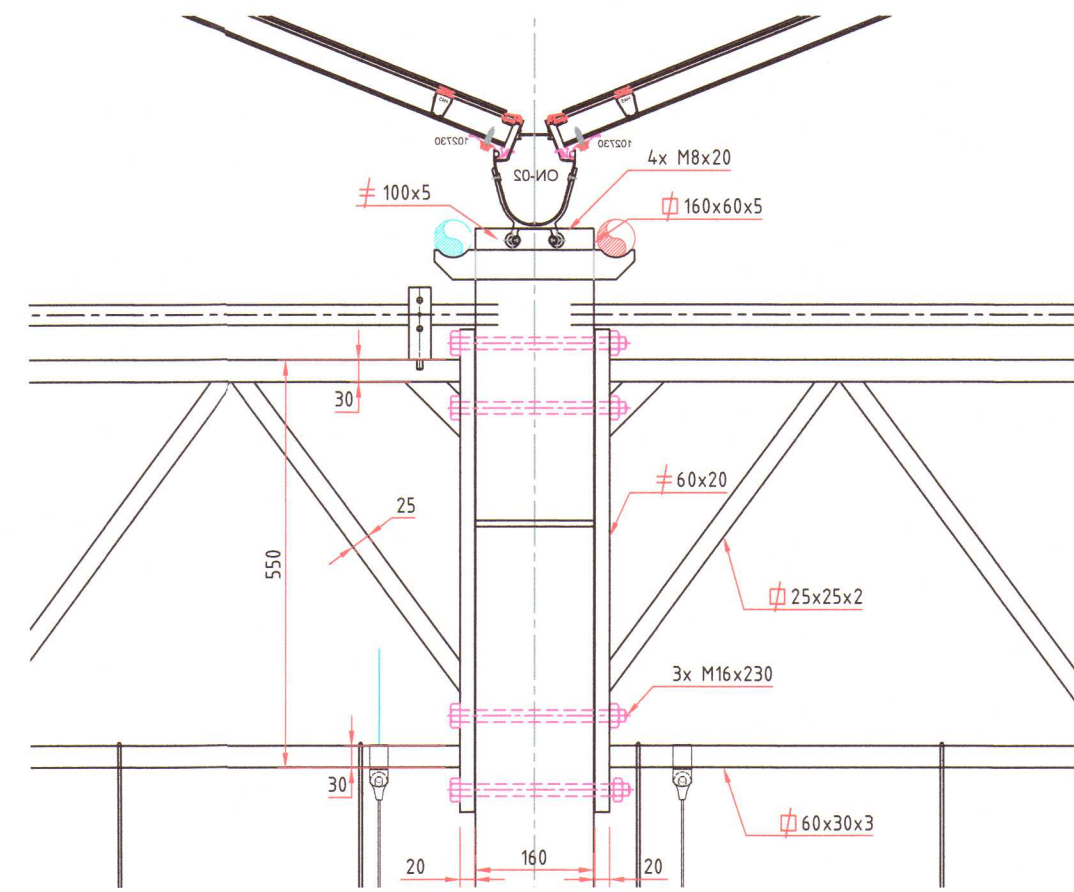


Detail E  
 scale 1:15

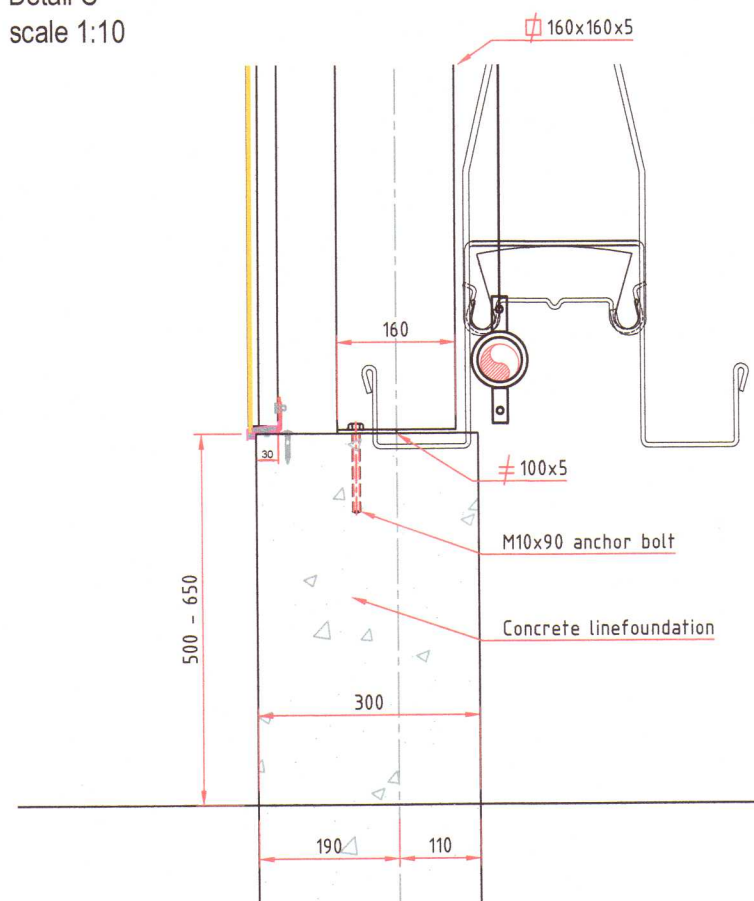
Detail A  
 scale 1:10



Detail B  
 scale 1:10

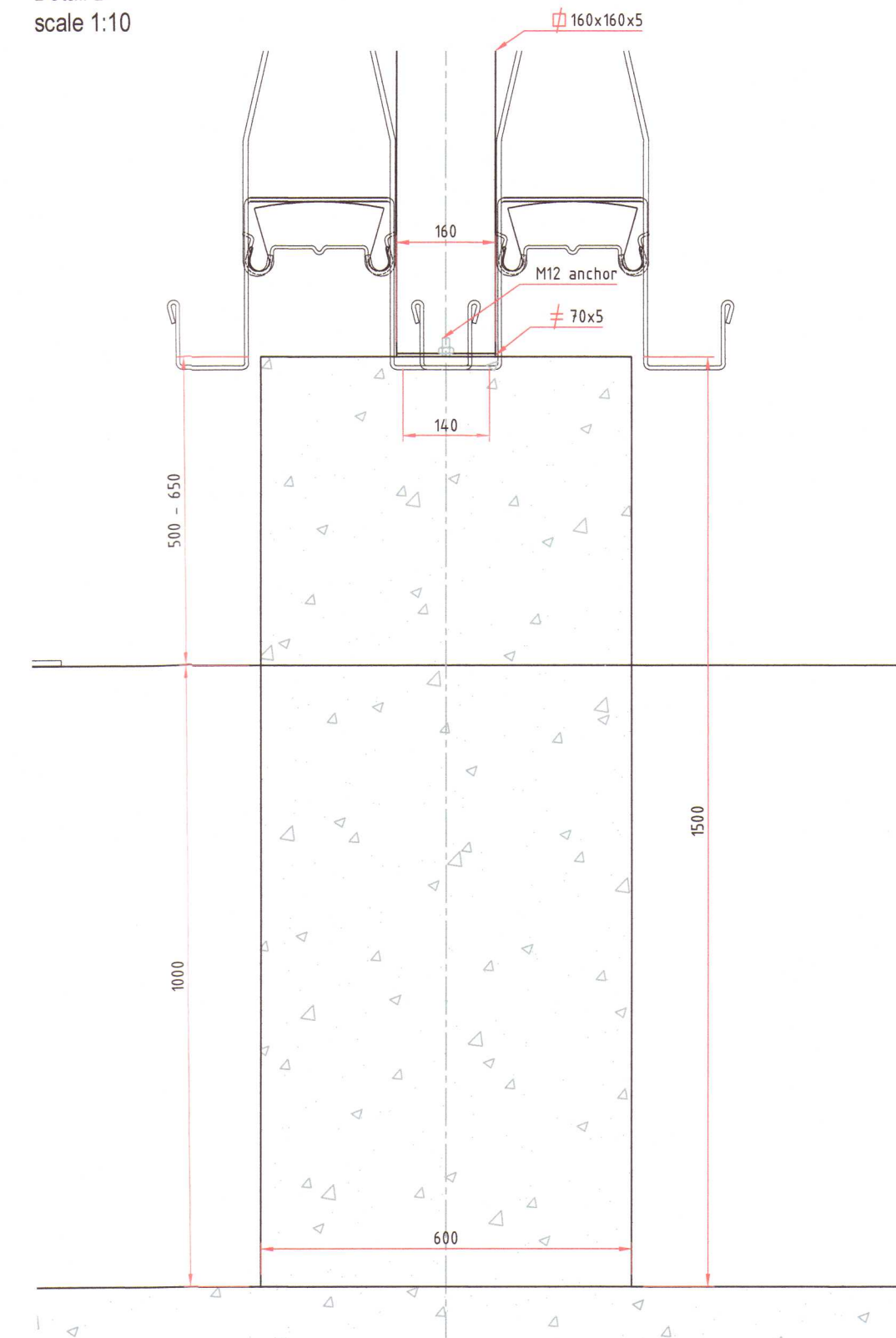


Detail C  
 scale 1:10



Line foundation is provided by customer  
 The height and outside line of the foundation is important to us.

Detail D  
 scale 1:10



The concrete poles and pads are provided by customer  
 The height and measures of the poles are important to us.

REVIEWED  
 Review is for general design and overall dimensions and does not relieve the contractor of responsibility for conformity to Contract Documents.  
 Ref: 20076-001\_18.5.2020  
 By: David Sigurðsson VERKÍS

20201026

Client:  
 Gufuhlid  
 Iceland  
 Project:  
 Greenhouse & packing house

-	-	-
-	-	-
-	-	-
-	-	-
Date:	Index:	Changed by:

Drawing subject:  
 Lay out Details

Paper size: **A1**  
 Drawing name:  
 20.013.001.2 Lay out  
 Sheet number: 3

 Dool International B.V.  
 Aartsdijkweg 55, 2676LE MAASDIJK  
 tel: 0031 174 513 094  
 www.doolinternational.com - sales@doolinternational.com  
**LIFTING - RENOVATION - BUILDING - DELIVERY**

Drawn By:  
 MvArdenne  
 Date:  
 01-05-2020  
 Scale:  
 1:10 / 1:15