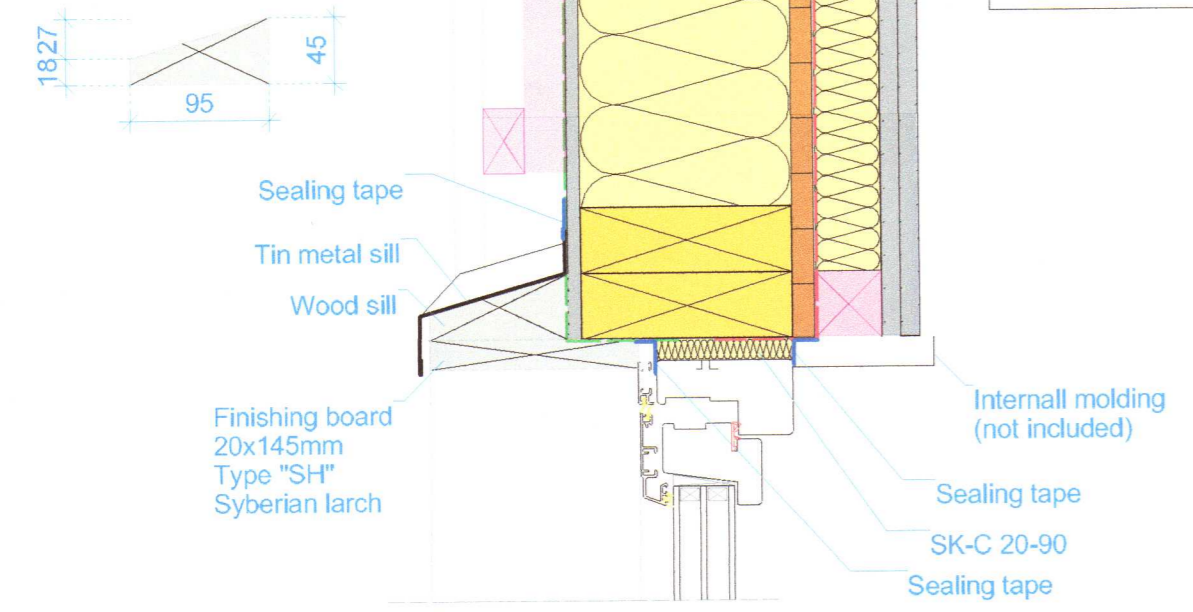
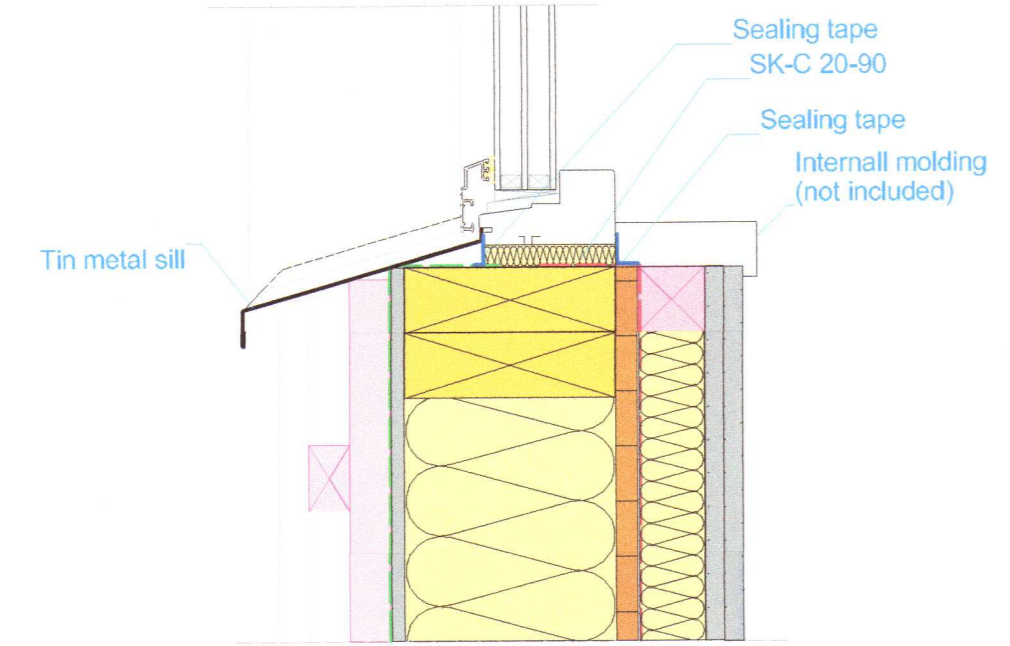
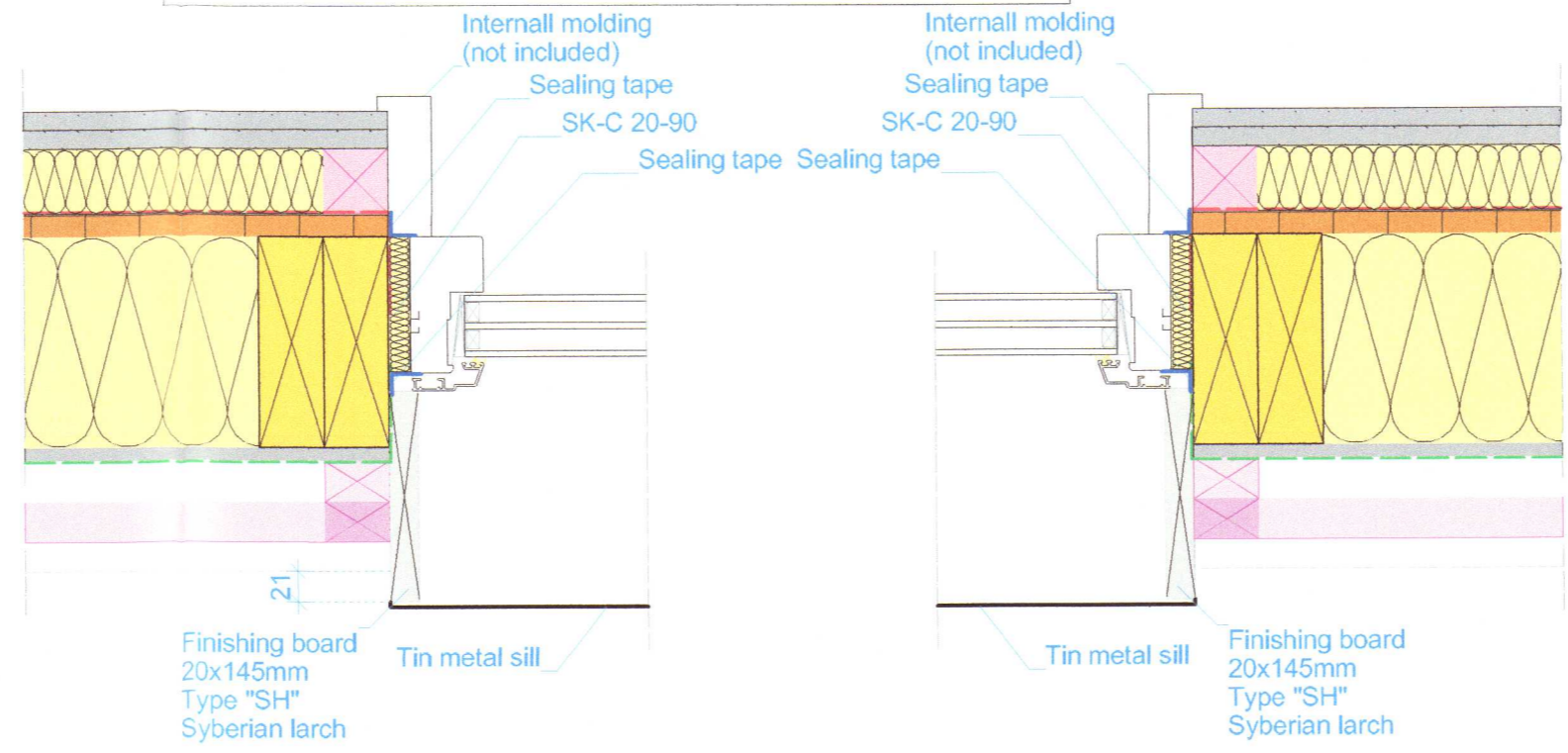


Umhverfis- og tæknisvið  
Uppsveita  
02. mars 2020  
MÖTTEKIÐ

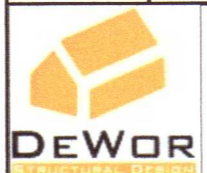
Vertical section - window in master bedroom



Horizontal section - window in master bedroom



2020 273

Proj Manager:		Customer:	Project nr:
Proj. Resp. Eng: A.Muráns		Object:	162A
Proj. Eng/Dsg: J.Kajva		Hrauntröð 10	Label: BK
		Sheet name:	Revision:
		Window&Door detail	16
File Nr. C:\USERS\JALVA\DESKTOP\ISLANDSEMA\15161\0211		Scale:	1 : 5.00
		Date:	20.12.2019

Hönnun & Svavarir Þórunnars 0307 713709