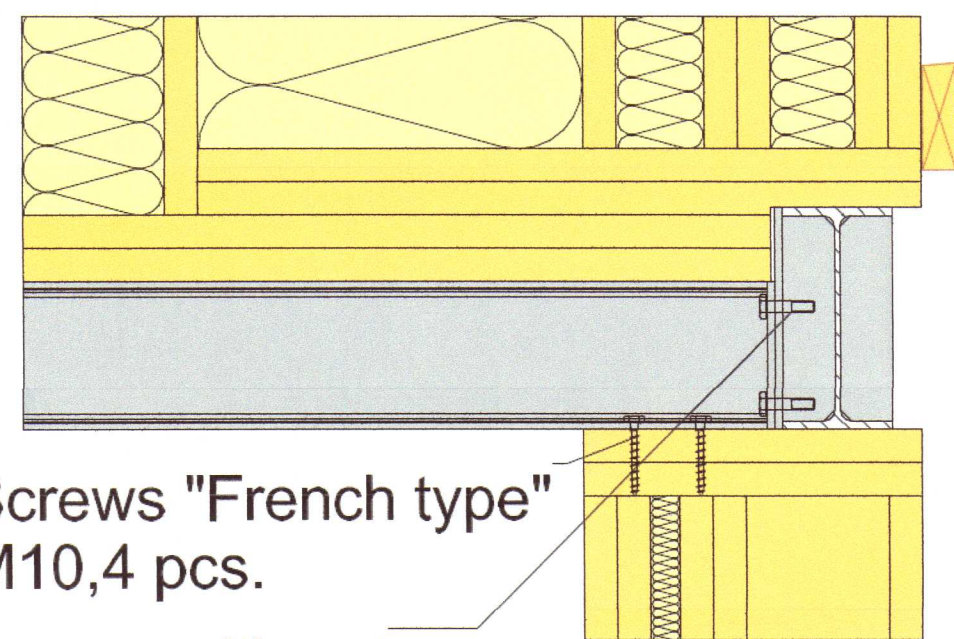
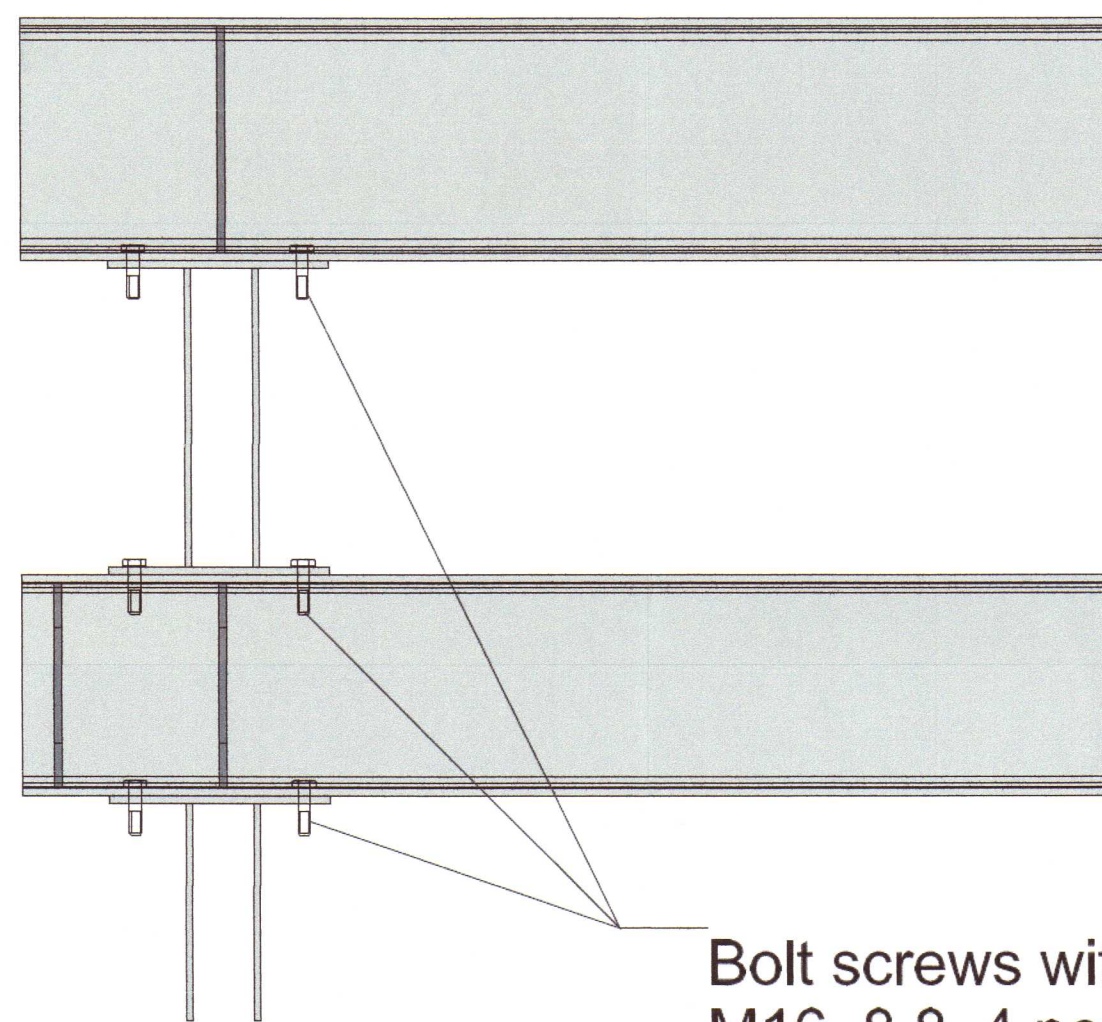


# Det - 1



Screws "French type"  
M10,4 pcs.

Bolt screws with nut  
M16, 8.8, 4 pcs.



Bolt screws with nut  
M16, 8.8, 4 pcs.  
in each connection

2020 292

Proj Manager:		Customer:	Project nr:
Proj. Resp. Eng:	A. Muráns	Object:	162A
Proj. Eng Dsg:	J. Kalva	Hraunrod 10	Label:
			BK
			Revision:
DEWOR		Sheet name:	Sheet nr:
		Steel construction connections	702
		File Nr. C:\Users\KULV\Documents\HRAUNROD-10\DWG\10-DEWOR	Scale:
			1 : 10.00
			Date:
			06.02.2020

Samb. Sigurður U. Sigurðsson 240 272-4279  
Hönnast Skrifur PÓL Brannisson 0309 713709