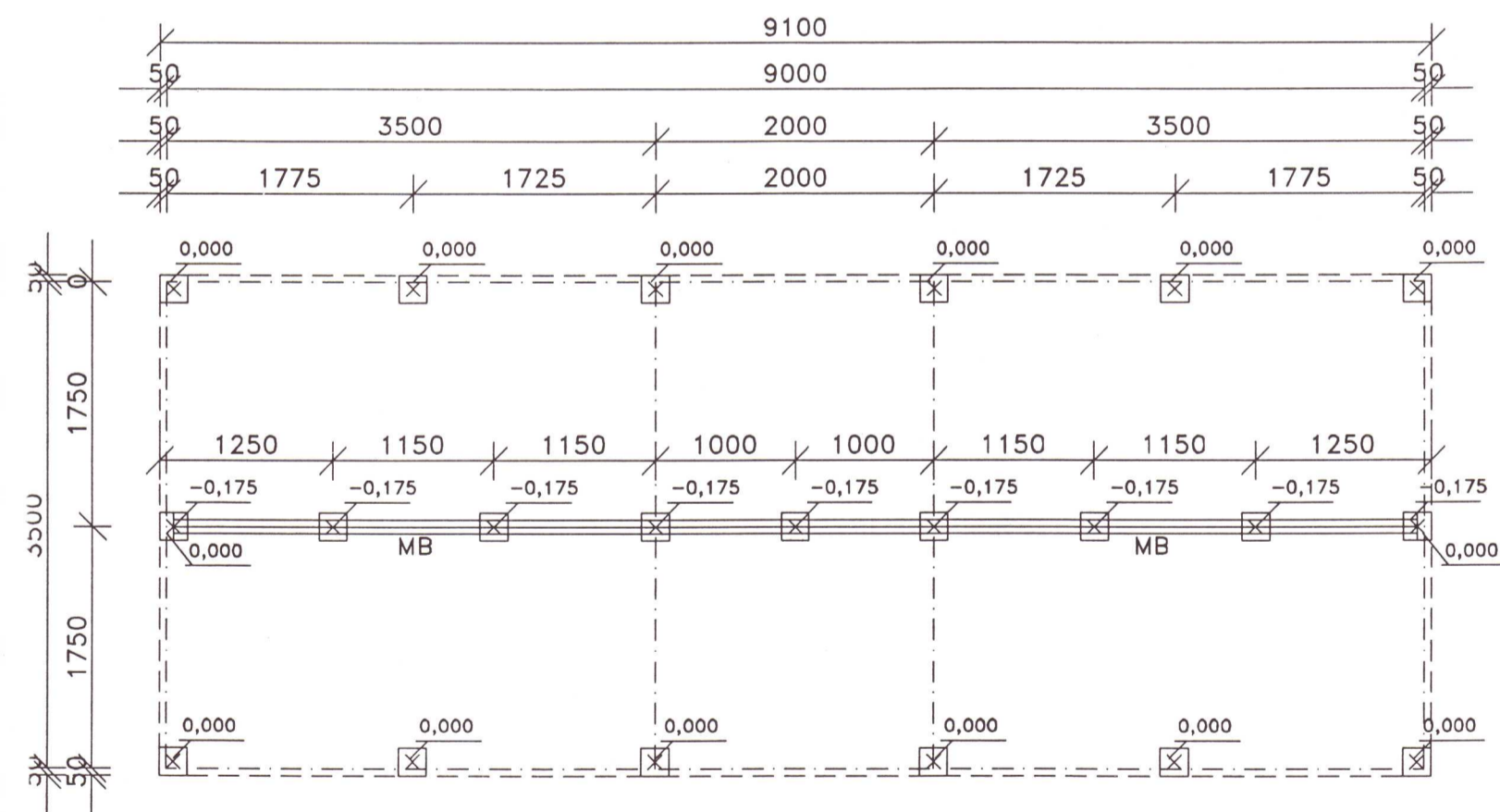
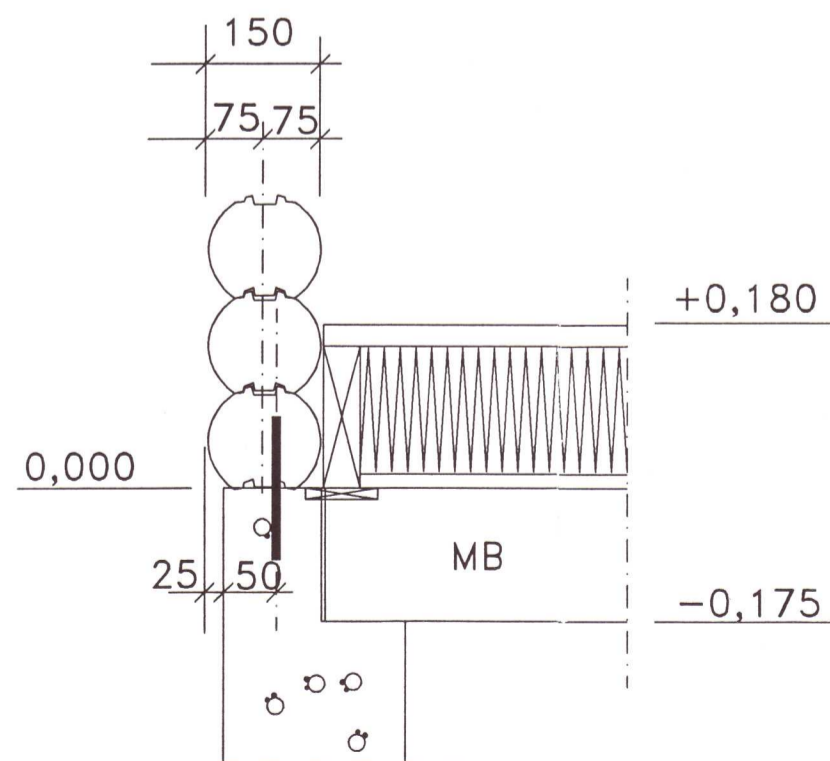


NORMATIVE FOUNDATION PLAN 1:50



- CENTRE LINE OF THE LOG WALL
- OUTSIDE LINE OF THE FOUNDATION
- ☒ FOUNDATION PILLAR
- $\frac{0,000}{-0,175}$ THE HEIGHT POSITION OF THE SURFACE OF THE FOUNDATION
- MB MAIN BEAM 2 * 48*173
- FLOOR JOIST 50*150

NORMATIVE FOUNDATION SECTION 1:10



SUMARHÚS - HVÍTÁRBRAUT 21 - VAÐNESLANDI - GRÍMSNESI blað 4 af 4

| City part / Village | Quarter | Building site | For official notes | | |
|--|---------|---------------|-------------------------|-----------------------|----------------|
| Building step | | | Sort of the drawing | | |
| NEW CONSTRUCTION | | | WORK DRAWING | | |
| Subject and address | | | Contents of the drawing | Scales | |
| LOG HOUSE | | | NORM. FOUND. PLAN | 1:50 | |
| HILMAR SÖLVASON | | | NORM. FOUND. SECTION | 1:10 | |
| ICELAND | | | Date | Number of the drawing | |
| <p>VUOKATTI VUOKATIN HUVILAVEISTÄMÖ OY Kiulutie 2, 88610 Vuokatti Tel. +358-8-6333 90, Fax +358-8-6333 933</p> | | | 04.05.2000 | 1524p | |
| | | | Designer | | ARTO KARPPINEN |
| | | | Engineer | | ARTO KARPPINEN |

3334-43