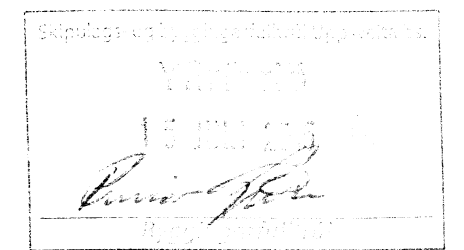
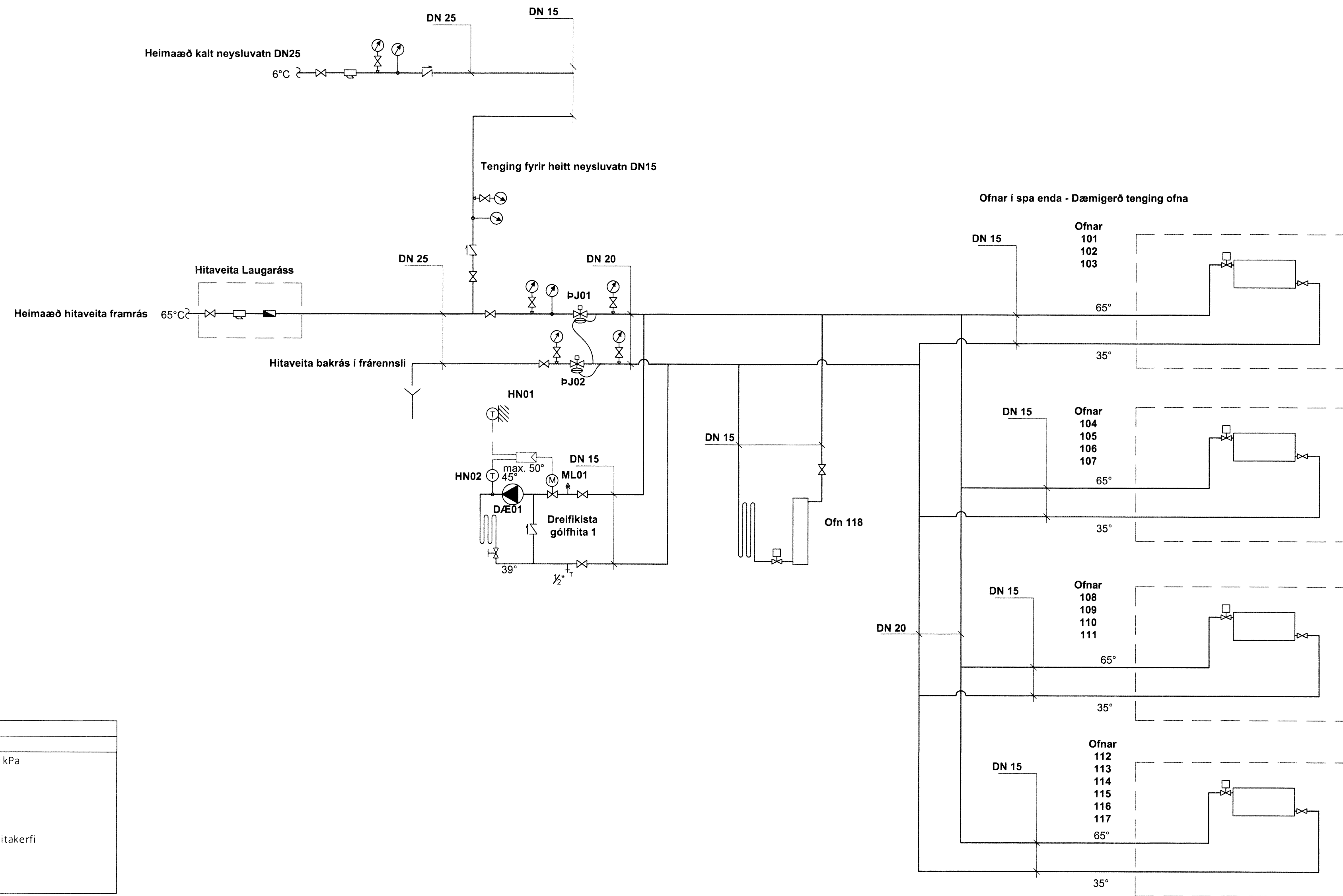


Kerfismynd - hitakerfi/neysluvatn
Ekki í kvarða

TÁKN

- Loki
- Sia
- Rennismælir
- Einstreymisloki
- Prýstimælir með loki
- Hitamælir
- Dæla
- Stílliloki
- Niðurfali
- Hitanemi
- Hitanemi á vegg
- Prýstinemi
- Mótorloki
- Prýstijafnari
- Prýstijafnari
- Tæming
- Afloftunarloki
- Lofthitastýrður ofnloki
- Slaufuloki

Nr	Búnaður - Upplýsingar
DÆ01	Hringrásardæla - 0,3 m ³ /klst við 40 kPa
PJ01	Prýstijafnari
PJ02	Slaufuloki
ML01	Mótorloki - Uppblöndun fyrir gólfhitakerfi
HN01	Vegghitanemi
HN02	Vatnshitanemi



ADALHÖNNUÐUR

ÚTG.	DAGS.	ÚTGÁFUERILL	HANNAÐ	TEKNI	YFIRF.
---	---	---	---	---	---
---	---	---	---	---	---
---	---	---	---	---	---
---	---	---	---	---	---
---	---	---	---	---	---
---	---	---	---	---	---
---	---	---	---	---	---
---	---	---	---	---	---
---	---	---	---	---	---



Hús
Bæjarholt 14
801 Selfoss
Lagnir
Hitakerfi / neysluvatnskerfi
Kerfismynd

TEKNI	BLAÐSTÆRD	HANNAÐ	AG	---
5689-001	A1	TEKNAÐ	BAS	---
xx_2_42_01		YFIRFARID	BK	---
DAGS.	MÆLIKVARDOI	UTGÁFA		
26.05.15	Ekki í kvarða	A		

SAMÞYKKT:
 Kennitala: 0311-111-4444

T:\901\Bæjarholt 14_Laugarás\Lagnir og loftkerfi\Kerfi\Neysluvatnskerfi\01_2_42.dwg

5828.