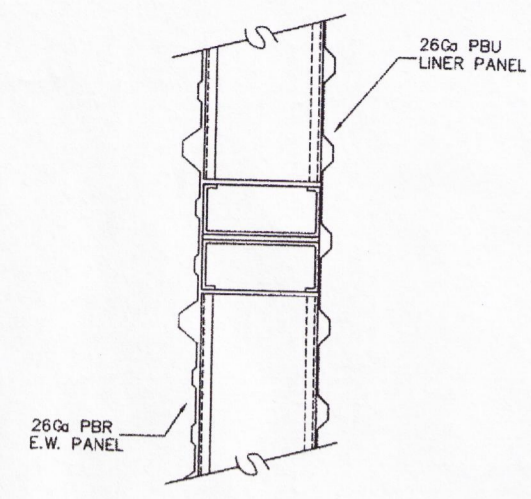
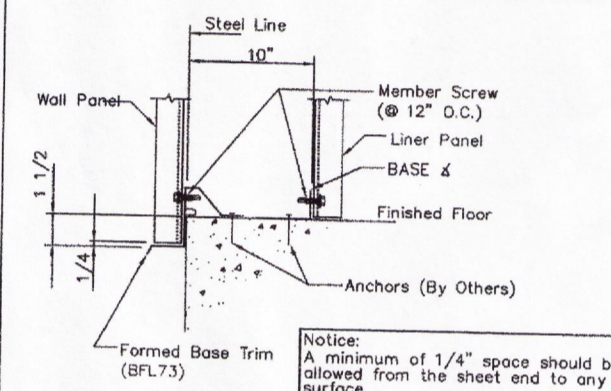


ROOF LINER



FLUSH INTERIOR BEARING FRAME

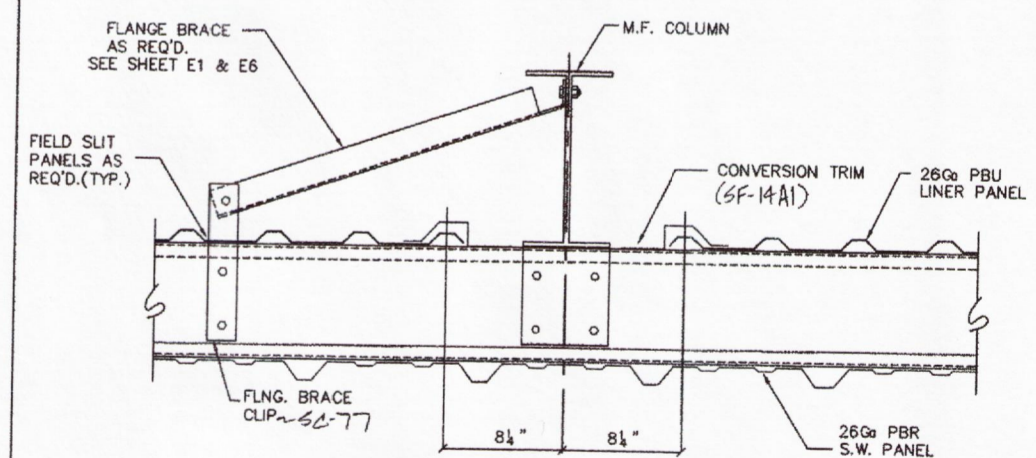


SECTION @ BASE

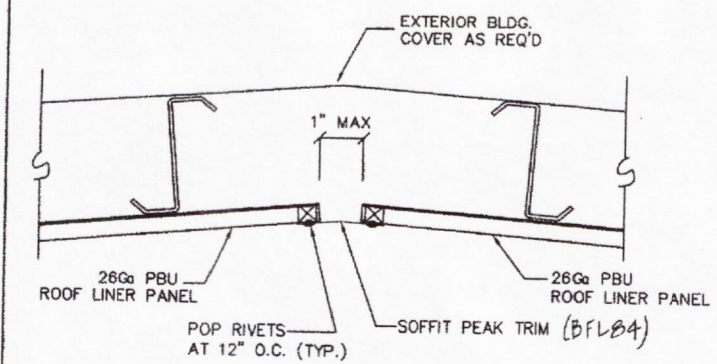
INCHES TO CENTIMETER

1/4	= 0.635 cm
1/2	= 1.27 cm
3/8	= 1.5875 cm
1	= 2.54 cm
1 1/4	= 3.175 cm
1 1/2	= 3.81 cm
1 3/4	= 4.445 cm
2	= 5.08 cm
2 1/4	= 5.715 cm
2 1/2	= 6.35 cm
2 3/4	= 6.985 cm
3	= 7.62 cm
3 1/4	= 8.255 cm
3 1/2	= 8.89 cm
3 3/4	= 9.525 cm
4	= 10.16 cm
4 1/4	= 10.795 cm
4 1/2	= 11.43 cm
4 3/4	= 12.065 cm
5	= 12.7 cm
5 1/4	= 13.335 cm
5 1/2	= 13.97 cm
5 3/4	= 14.605 cm
6	= 15.24 cm
6 1/4	= 15.875 cm
6 1/2	= 16.51 cm
6 3/4	= 17.145 cm
7	= 17.78 cm
7 1/4	= 18.415 cm
7 1/2	= 19.05 cm
7 3/4	= 19.685 cm
8	= 20.32 cm
8 1/4	= 20.955 cm
8 1/2	= 21.59 cm
8 3/4	= 22.225 cm
9	= 22.86 cm
9 1/4	= 23.495 cm
9 1/2	= 24.13 cm
9 3/4	= 24.765 cm
10	= 25.4 cm
10 1/4	= 26.035 cm
10 1/2	= 26.67 cm
10 3/4	= 27.305 cm
11	= 27.94 cm
11 1/4	= 28.575 cm
11 1/2	= 29.21 cm
11 3/4	= 29.845 cm
12	= 30.48 cm

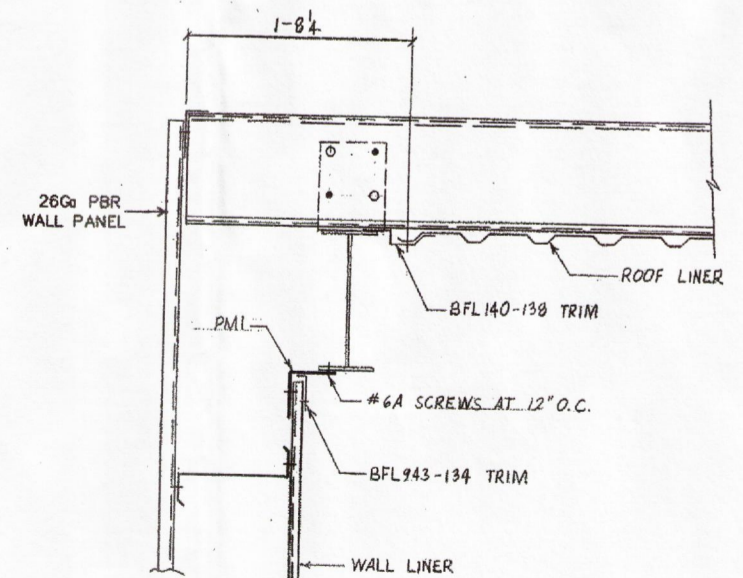
NOTE:
REFER TO "INCHES TO CENTIMETER" CHART
FOR ALL DIMENSION 1'-0 (30.48cm) AND UNDER.



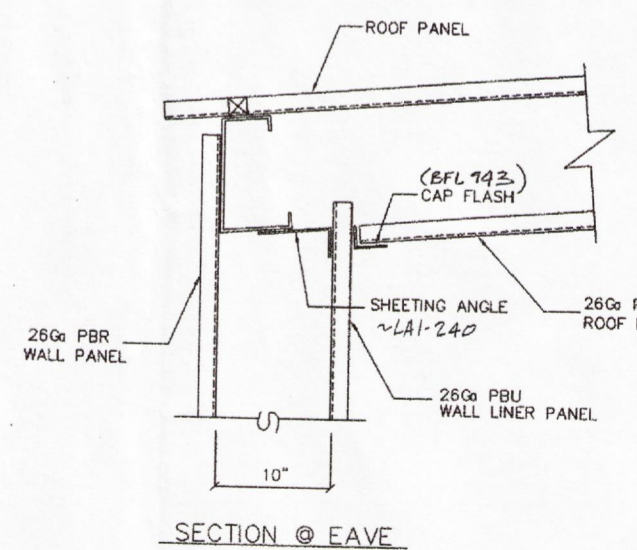
BY-PASS INTERIOR MAIN FRAME
(COLUMN SHOWN/ RAFTER SIMILAR)



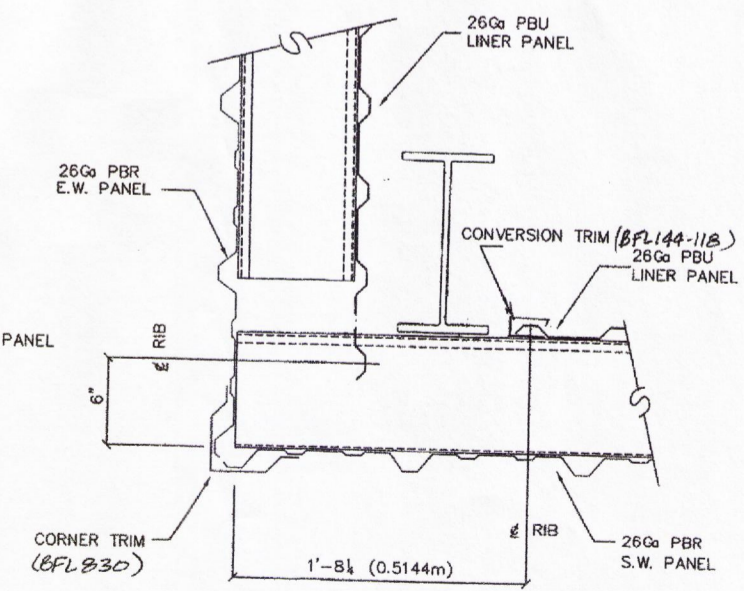
SECTION @ PEAK



SECTION @ RAKE



SECTION @ EAVE



FLUSH BEARING FRAME CORNER

MIDENGI, GRÍMSNESI

Teikning yfirfarin og samþykkt, sbr. aðalteikn.
verk nr. 20-46 nr. B-01.01 og B-01.02

Verkfræðistofa Njardvíkur ehf., 17. jan 2005
Magnús R. Guðmannsson MVFI
kt. 16043-2869

DRAWING STATUS

<input type="checkbox"/>	FOR APPROVAL:	THESE DRAWINGS, BEING FOR APPROVAL, ARE BY DEFINITION NOT FINAL, AND ARE FOR CONCEPTUAL REPRESENTATION ONLY. THEIR PURPOSE IS TO CONFIRM PROPER INTERPRETATION OF THE PROJECT DOCUMENTS. ONLY DRAWINGS ISSUED "FOR CONSTRUCTION" CAN BE CONSIDERED AS COMPLETE.
<input type="checkbox"/>	FOR PERMIT:	THESE DRAWINGS, BEING FOR PERMIT, ARE BY DEFINITION NOT FINAL IN THAT, AS A MINIMUM, PIECE MARKINGS ARE NOT IDENTIFIED. ONLY DRAWINGS ISSUED "FOR CONSTRUCTION" CAN BE CONSIDERED AS COMPLETE.
<input checked="" type="checkbox"/>	FOR CONSTRUCTION:	FINAL DRAWINGS.

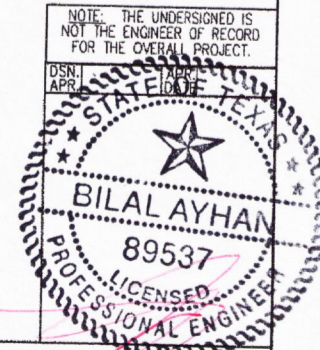
REVISIONS

NO.	DATE	DESCRIPTION	BY	CHK'D
A	10/21/04	FOR PERMIT	NKS	PHO
2	11-3-04	FOR CONSTRUCTION	JAV	PHO
1	12-2-04	REVISED FOR PERMIT/CONSTRUCTION	JAV	JAV

METALIG metallic building company

7301 FAIRVIEW • HOUSTON, TEXAS • P.O. BOX 40338
ZIP 77041 (713) 466-7788 ZIP 77240

DESCRIPTION: ERECTION DRAWING
SIZE: SEE BUILDING DESCRIPTION SHEET C1
CUSTOMER: TEXAS STEEL BUILDINGS
LOCATION: ICELAND
DRAWN BY: JAV
DATE: 0105-220179
SCALE: NONE
JOB NO.: 0105-220179
PH: BLDG. DESC. (A) A
SHEET NO.: E5 OF 14
ISSUE: 1



JAN 06 2005