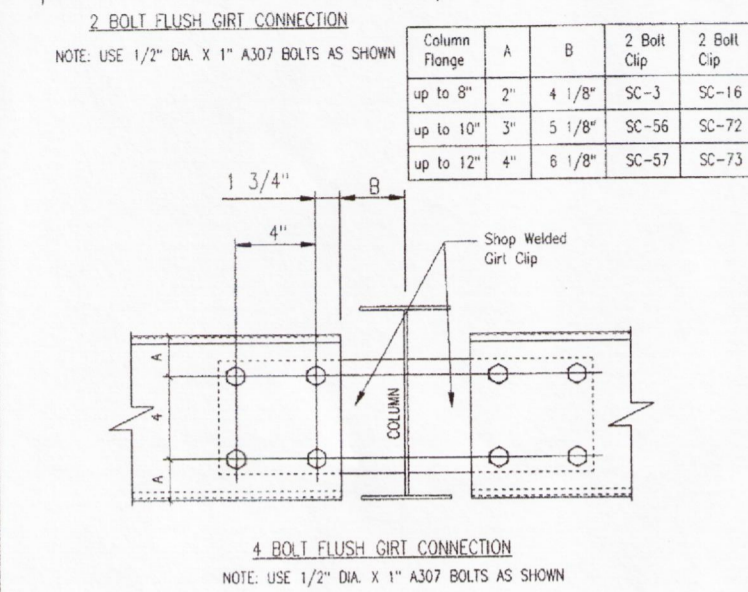
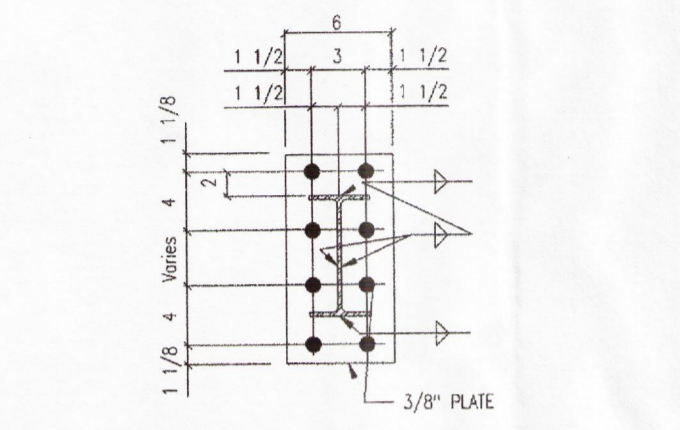
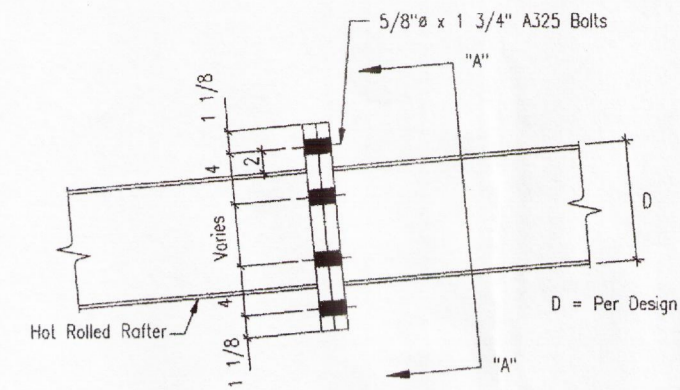


Columns shown as hot rolled for demonstration only. They may be Built Up or Cold Form also.

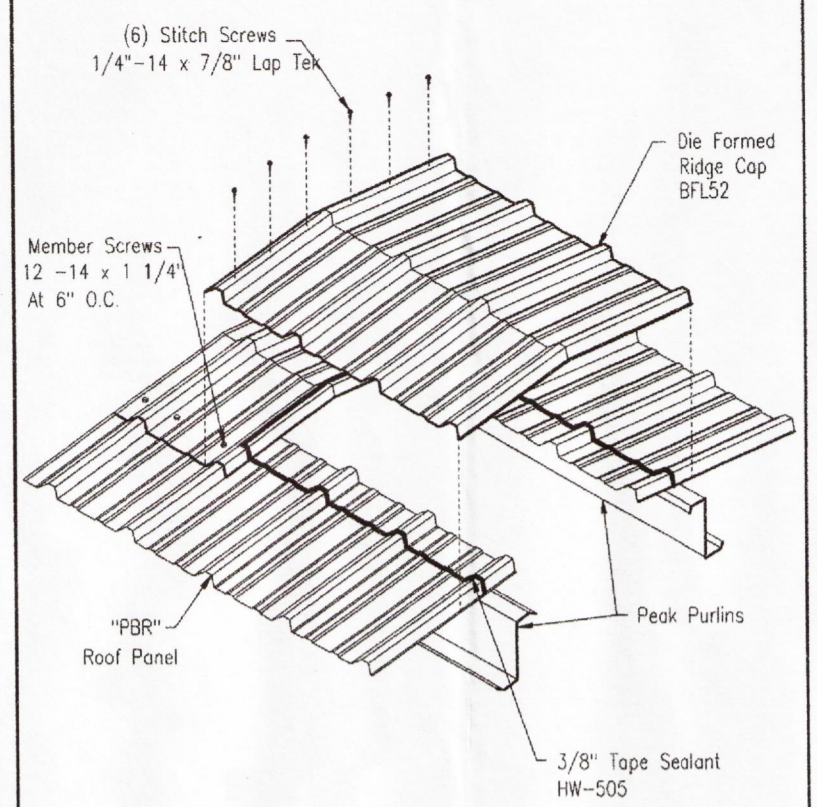
Column Flange	A	B	2 Bolt Clip	2 Bolt Clip
up to 8"	2"	4 1/8"	SC-3	SC-16
up to 10"	3"	5 1/8"	SC-56	SC-72
up to 12"	4"	6 1/8"	SC-57	SC-73



SIDEWALL or ENDWALL INTERIOR FLUSH GIRTS CONNECTION DETAIL



ENDWALL HOTROLL RAFTER SPLICE CONN.

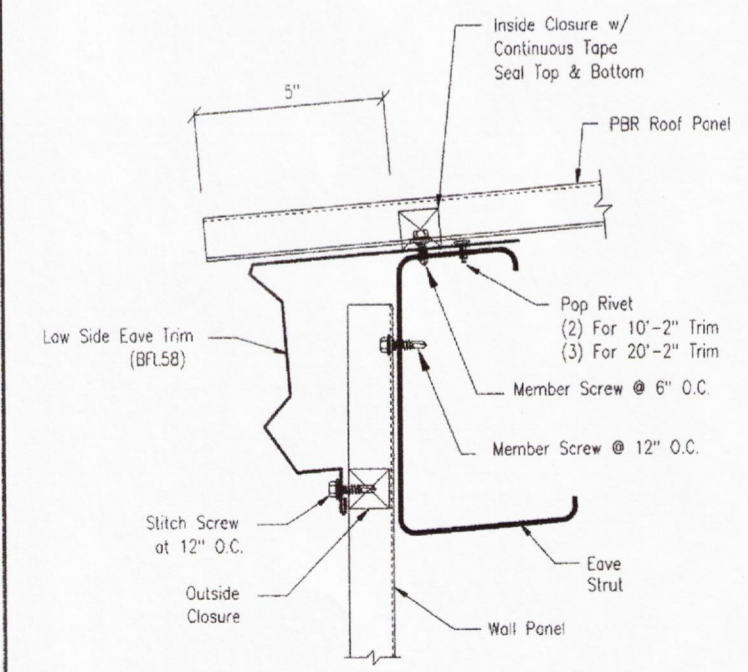


"PBR" Roof Fixed Ridge Detail  
For panel runs up to 125'-0"  
For roof slopes up to 5:12

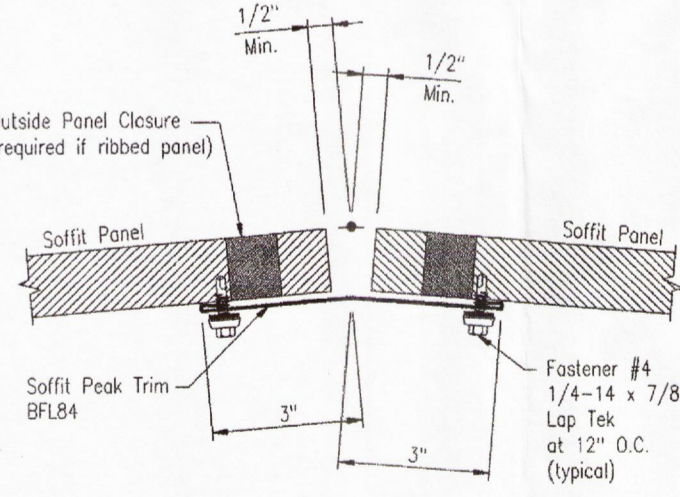
NS0125

NS0240

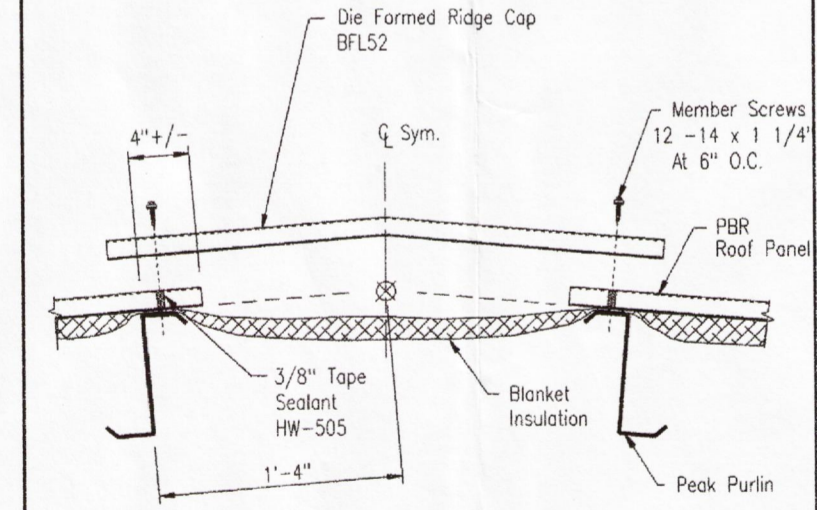
NS0757



LOW EAVE DETAIL  
Sculptured Trim - 1 1/4" Wall Panel - PBR Roof



Soffit Peak Trim Detail



"PBR" Roof Fixed Ridge Detail  
For panel runs up to 125'-0"  
For roof slopes up to 5:12

NS0177

NS0252

NS0757A

NOTE: 1. These drawings are intended to depict general installation of item(s) described above. Some item(s) may have been omitted for clarity of presentation. Consult your erection manual or additional S-Sheets for further guidelines and/or clarifications.

MIDENGI, GRIMSNEI

Teikning yfirfarin og samþykkt, sbr. aðaltekn. verk nr. 20-46 nr. B-01.01 og B-01.02

Verkfræðistofa Njarðvíkur ehf., 17. jan 2005  
Magnús R. Guðmannsson MVFI  
kt. 160443-2869

*Blasuskla*

REVISIONS				
NO.	DATE	DESCRIPTION	BY	CK'D
0	11/8/04	FOR CONSTRUCTION		BOB
1	12/2/04	REVISED FOR PERMIT/CONSTRUCTION	JAE	JAH

Customer: Texas Steel Buildings						
End User: Toppurinn UK LTD						
Location: Iceland						
Det. By	Chk. By	Date	Scale	Building ID	Job Number	Sheet Number
JAE	BOB	11/8/04	N.T.S.		0105-220179	S-4
						Issue
						1

Standard Details

JAN 06 2005

