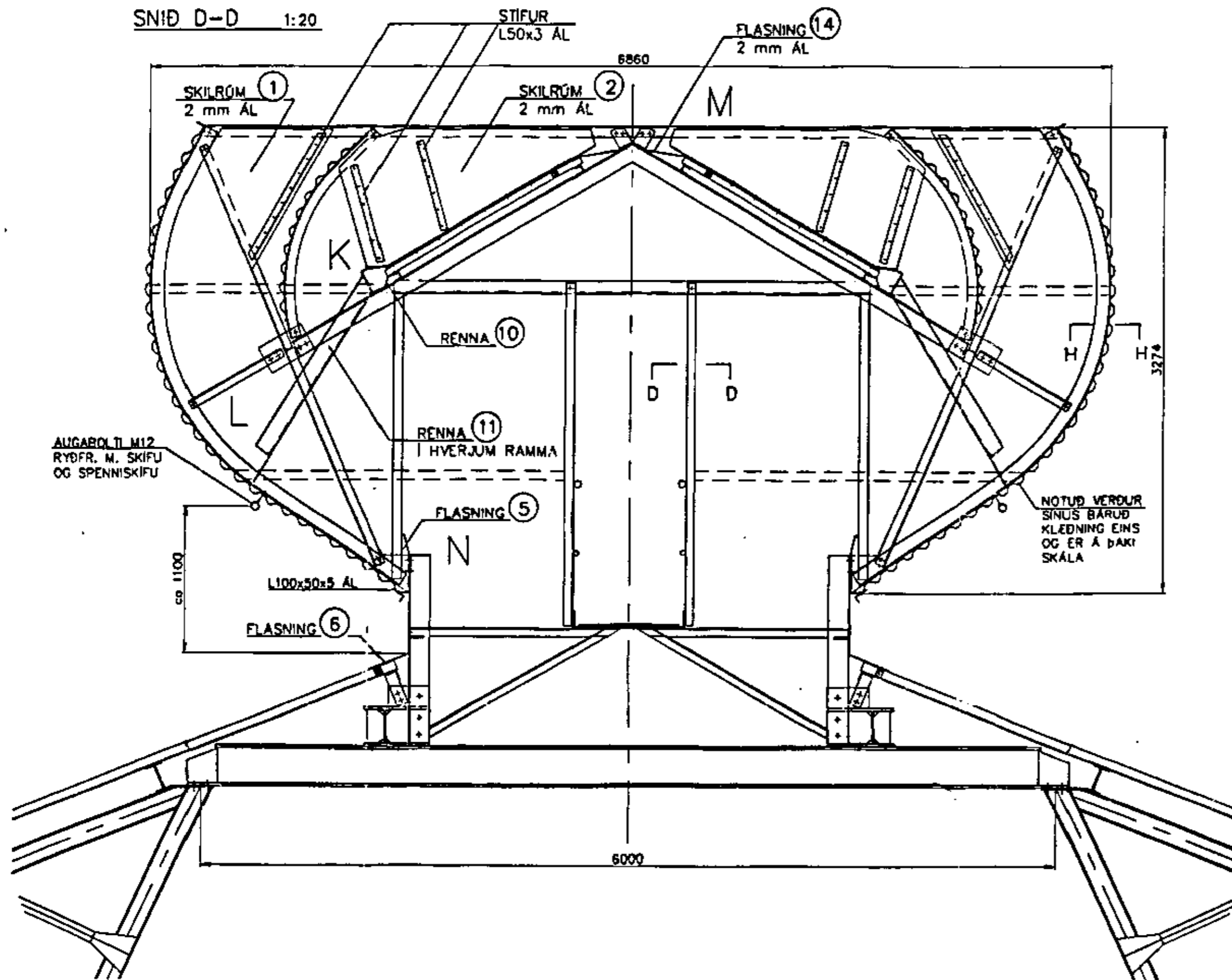
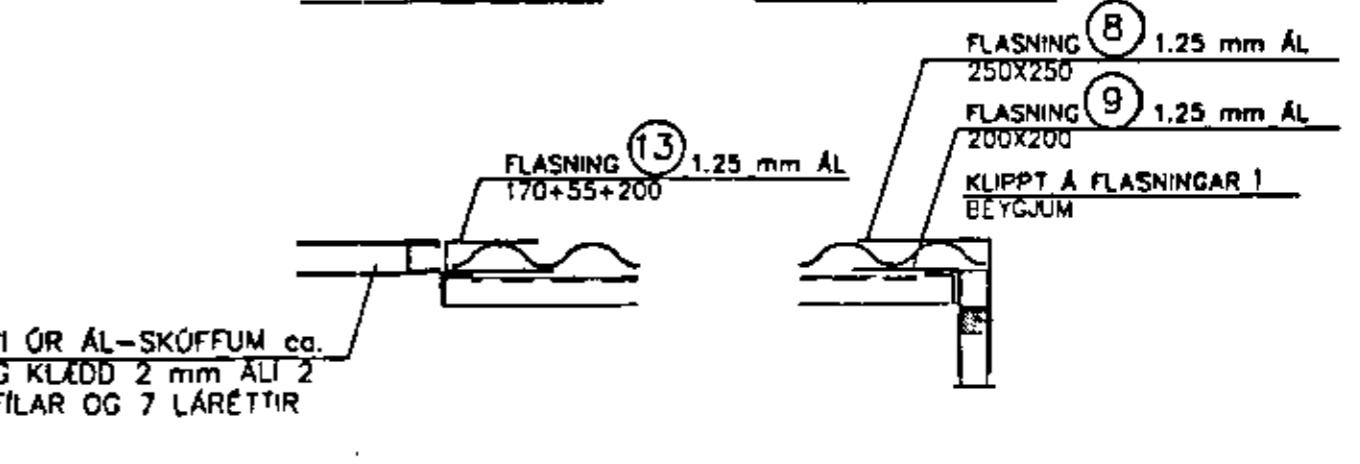


SNID D-D 1:20



SNID D-D 1:10

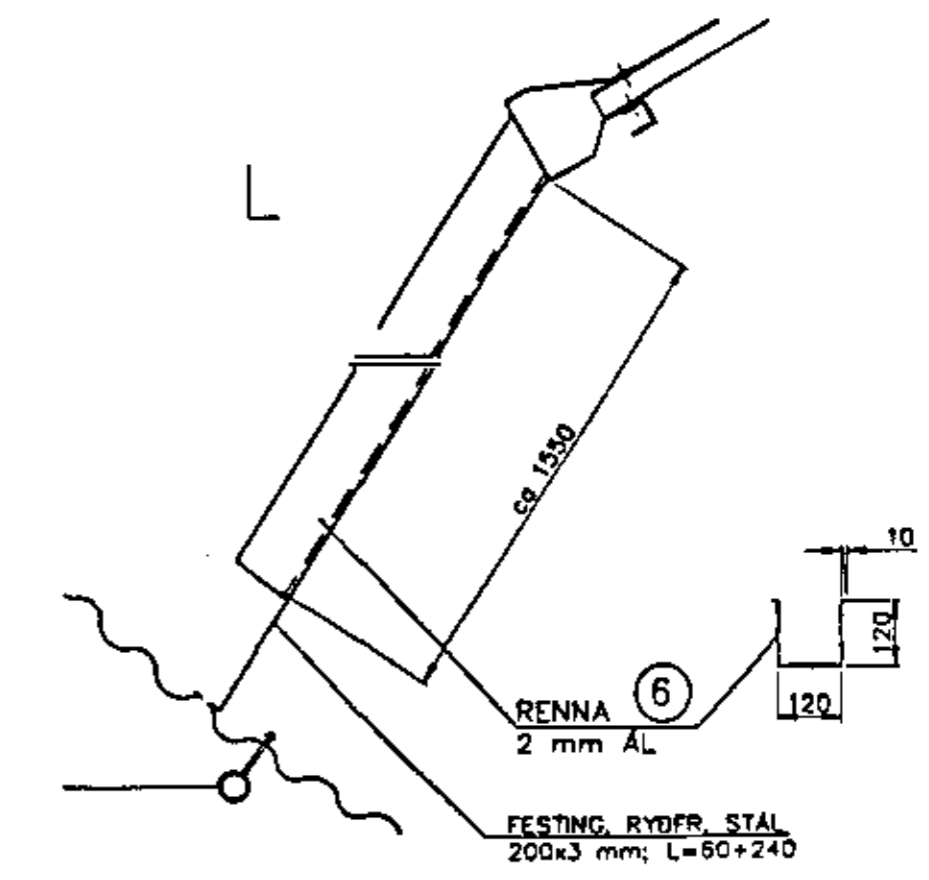
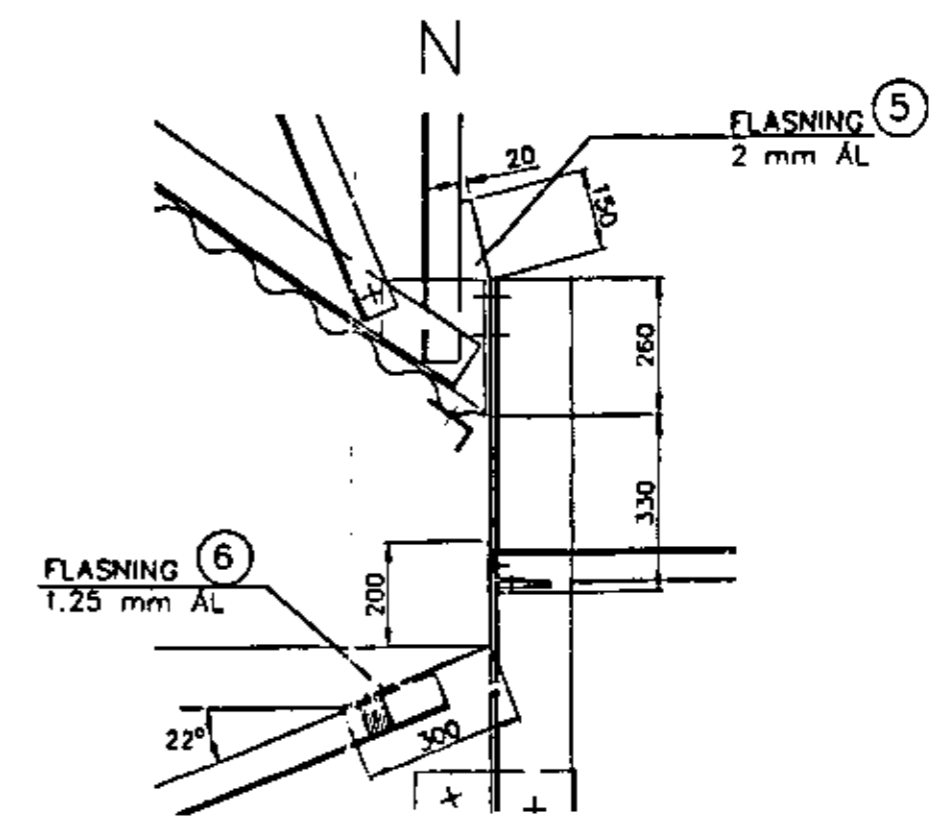
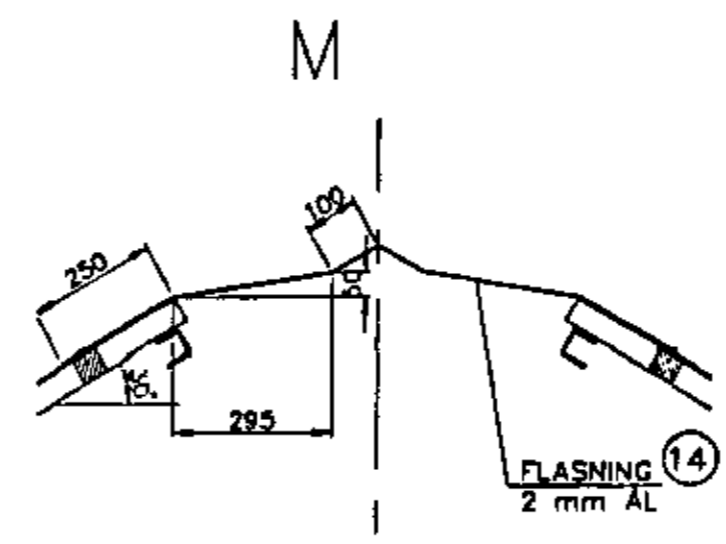
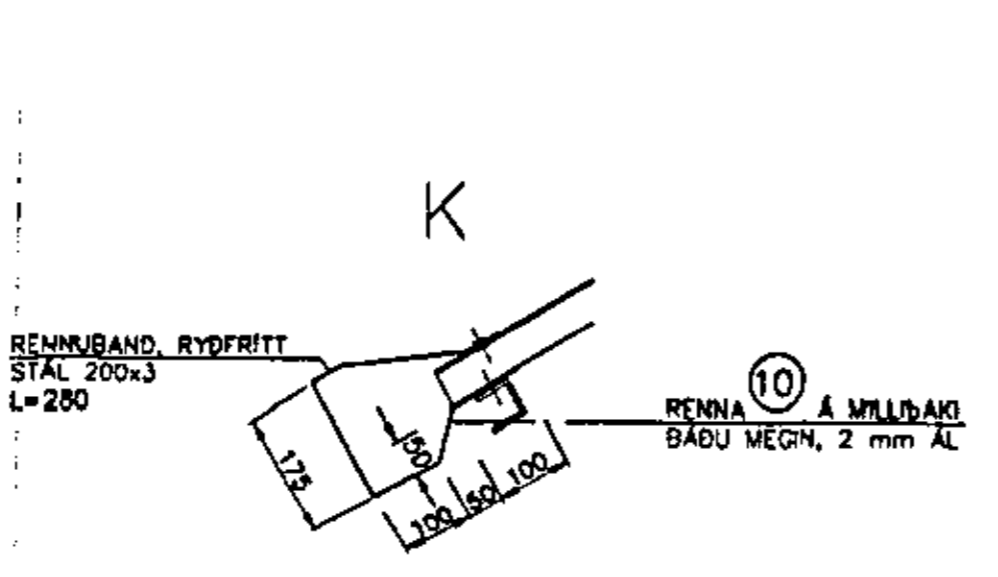
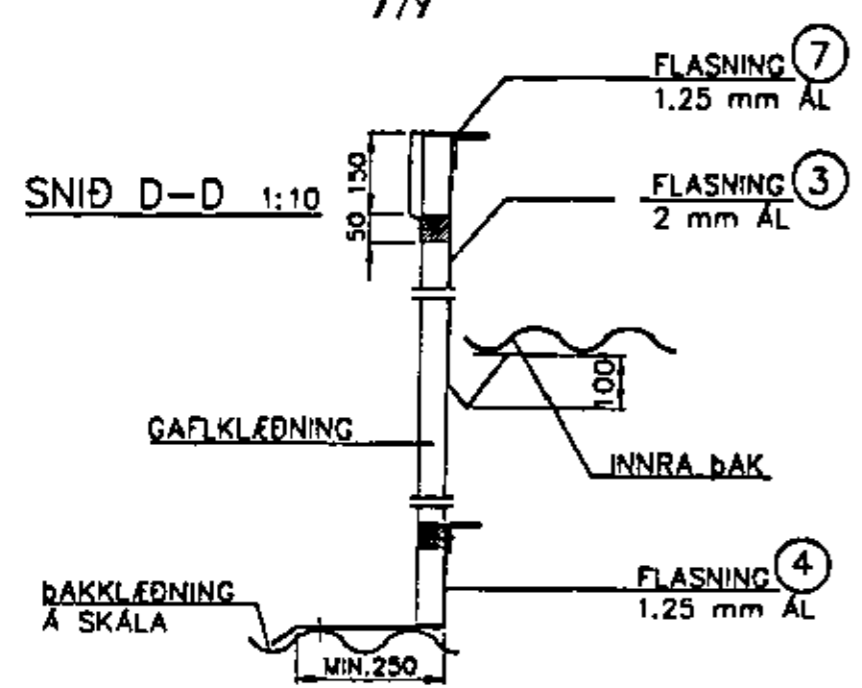
SNID H-H 1:10



AUGARÐI T1 M12
RYÐFR. M. SKIFU
OG SPENNISKIFU

NOTUÐ VERÐUR
SINUS BARUÐ
KLÆÐNING EINS
OG ER Á ÞAKI
SKÁLA

SNID D-D 1:10



Skýringar:
Explorations:

Þráttur	Stærð	Stærð	Stærð	Stærð	Stærð
A	TEXT	13.05.1998	DC/GuR		

This drawing is the property of the ICELANDIC ALUMINIUM CO. LTD. and handed out for persons use only. It may neither be copied nor made available to others without permission of the ICELANDIC ALUMINIUM CO. LTD. the receiver is liable for any misuse.		File name: IV MI N I	Author: TEKNIÐJÓNUSTAN SF	Date: 21-3-98	Checked: Wb	Drawing No.: 185272	Scale: A
KERSKÁLI I LOFTHAFUR KLÆÐNING		Project No.: 9807-2	Company: ICELANDIC ALUMINIUM CO. LTD. Straumsvík, IS-220 Hafnarfjarður, Ísland	Drawing No.: 5011 BA 1250	Scale: A	Date: 13.05.1998	Author: DC/GuR