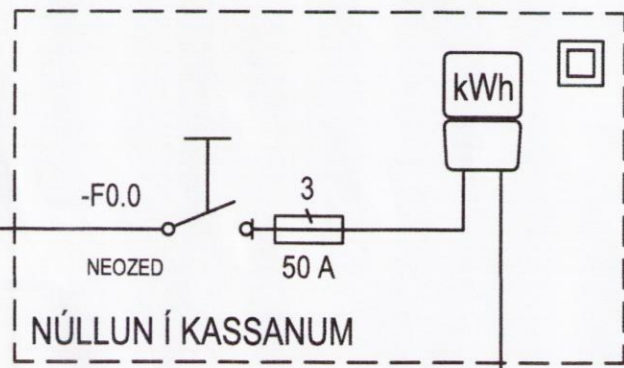


Innsiglanlegur mæla-
kassi á bústað
kassin skal settur
lóðréttur í lóðréttu plani.

Mælatafla T1.0



Heimtaug Orkuveitu
400/230V 50A
4x25q ÁL

-F0.0

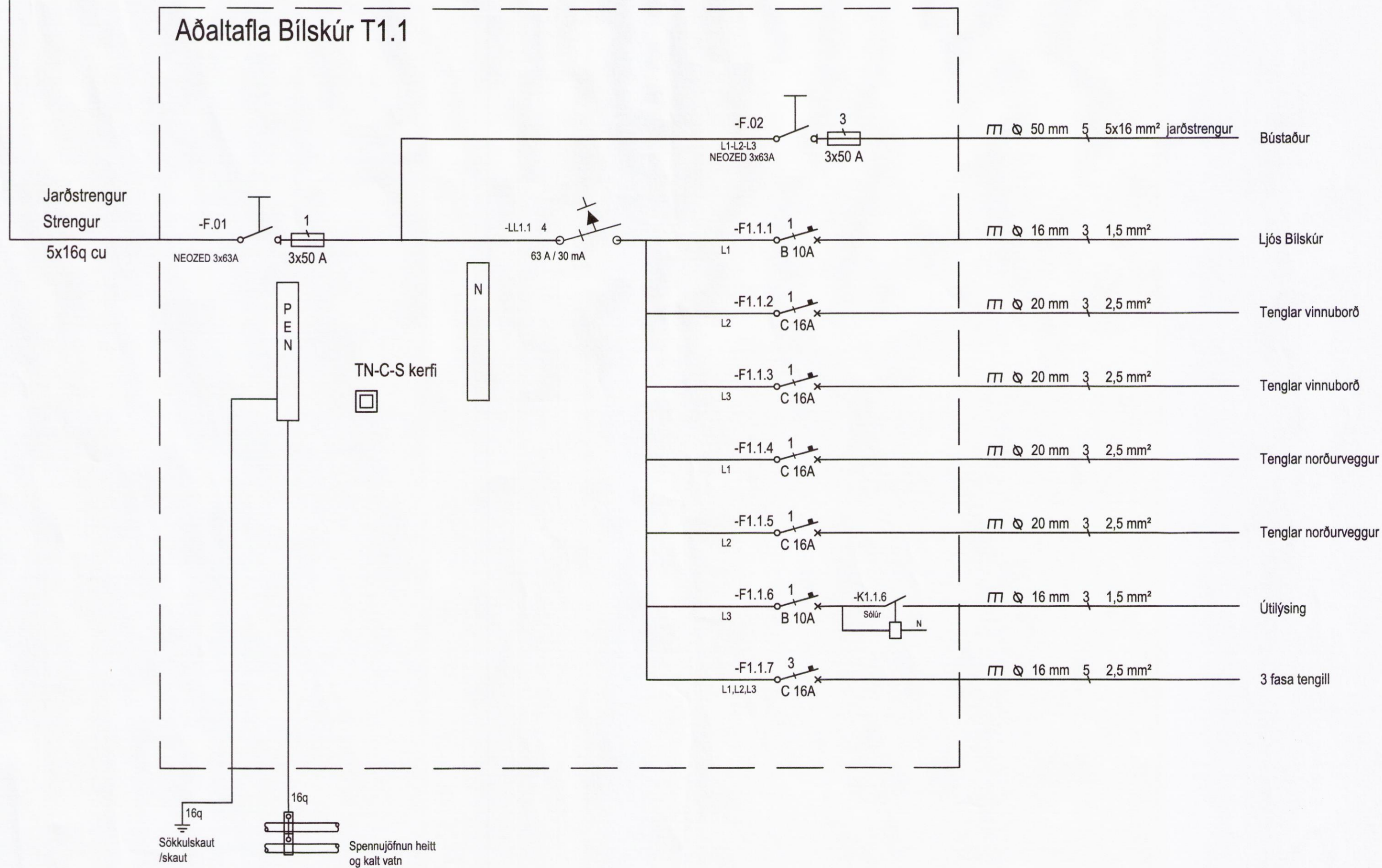
NEOZED

50 A

NÚLLUN Í KASSANUM

Verktaki kynni sér
reglur um frágang og
tengingu á mæli hjá
viðkomandi rafveitu.

Aðaltafla Bílskúr T1.1



16q
Sökkulskaut
/skaut

16q

Spennujöfnun heitt
og kalt vatn



ADALHÖNNUÐUR

ÚTG.	DAGS.	ÚTGÁFUERILL	HANNAÐ	TEIKN.	YFIRF.
---	---	---	---	---	---
---	---	---	---	---	---
---	---	---	---	---	---
---	---	---	---	---	---
---	---	---	---	---	---
---	---	---	---	---	---
---	---	---	---	---	---
---	---	---	---	---	---
---	---	---	---	---	---
---	---	---	---	---	---



Sumarhús
Langamýri 6 Landnr. 222621
801 Selfoss (Dreifbýli)

Raflagnir
Einlínamynd
Aðaltafla Bílskúr T1.1

TEIKNINÚMÉR	BLADSTÆRÐ	HANNAÐ:	HRS	HRS
---	A2	TEIKNAD:	HRS	HRS
XX_3_11_01		YFIRFARID:	---	---
DAGS.	MÆLIKVARÐI	ÚTGÁFA		
09.05.2016	Enginn	A		

SAMÞYKKT: *Halvarð Stefánsson*
Kennitala: 240359-2279

8786