

## YFIRLÝSING HÖNNUÐAR

23.02.2022

**Varðar: Sérupprætti burðarvirkis yfirbyggingar fyrir frístundahúsið við Óðinsstíg 4 í Grímsnes- og Grafningshreppi.**

Neðangreindur hönnuður hefur yfirfarið meðfylgjandi sérupprætti gerða af hönnuðum hjá Tekta ehf.

Uppdrættir þessir uppfylla hönnunarforsendur skv. byggingareglugerð 112/2012.

Álagsforsendur eru skv. evrópsku þölnönnunarstöðlunum og íslenskum þjóðarviðaukum, ÍST EN 1990-1998 / NA:2010.

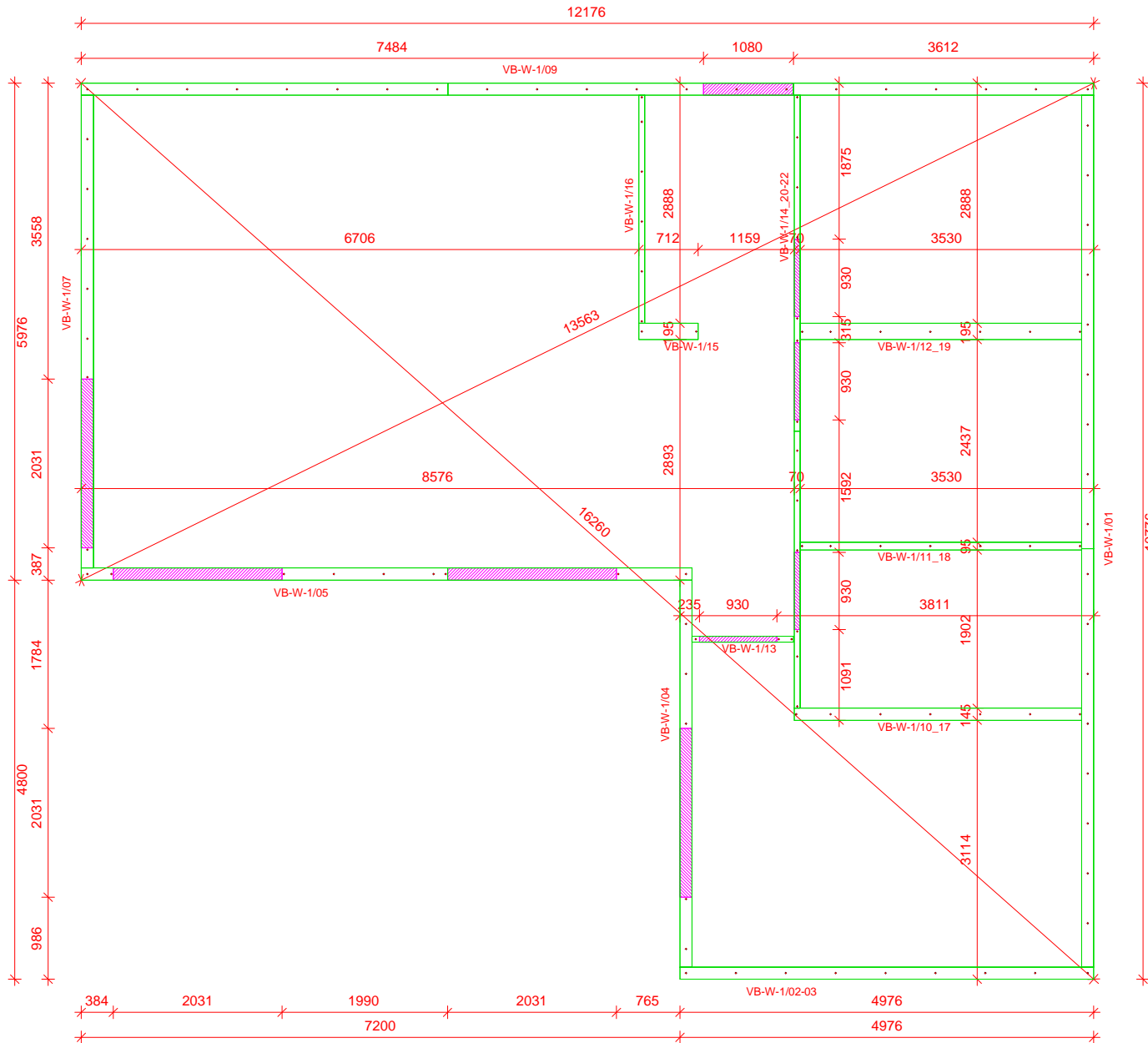
Aðalupprættir sem liggja til grundvallar eru gerðir af neðangreindum hönnuði, dagsettir 05.10.2021.


**Staðfest með rafrænni undiritun**

**Sigurður Unnar Sigurðsson**

**verkfræðingur 290772-4279**

Sole plate plan M1:50

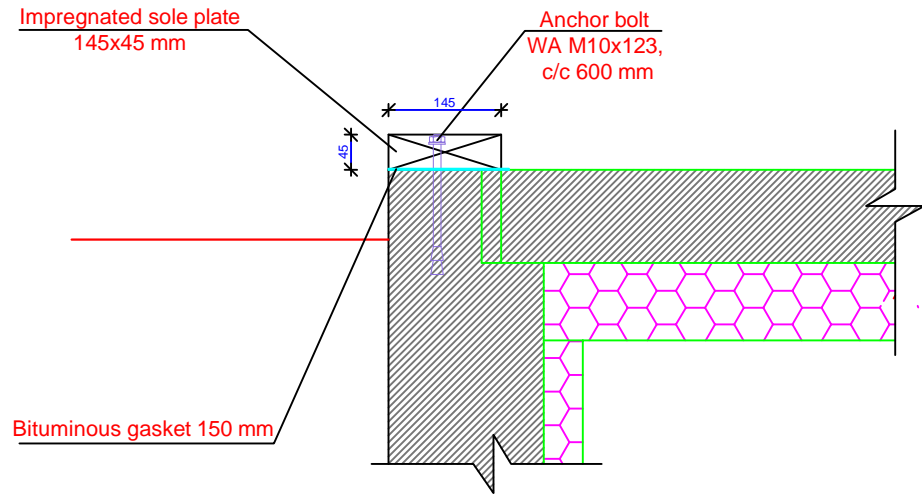


 Door places  
Do not turn the screws in these places

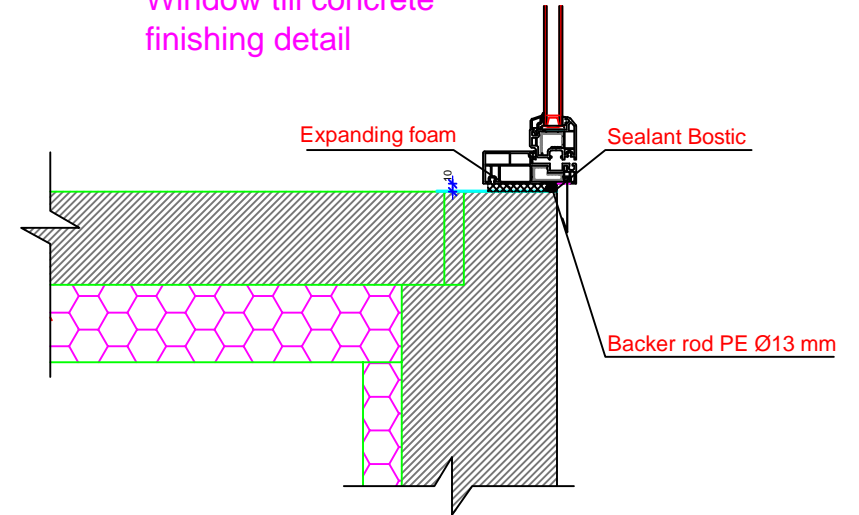
- Notes:
1. The outdoor walls sole plate fix every 600 mm.
  2. The indoor walls sole plate fix every 600 mm.
  3. Sole plate fix with Wedge Anchor bolts WA 10/123.

Drawing name: <b>Sole plate plan</b>		
Customer name: <b>Tekta EHF House 97 m<sup>2</sup> Óðinsstöðigur 4, 801 Selfoss Iceland</b>		Approved:
Control project		Sign.: Control
File name: TEKTA EHF House 97 m <sup>2</sup>		Date: 01.12.2021
Checking your order		Sheet format (A3): 1:50
Sign.: Kontrol:		Project for the supplier:
Project name: <b>SK-S-376</b>	Construction drawing name: <b>Dr-01</b>	Check: ...
Drawing name: <b>Sole plate plan</b>		

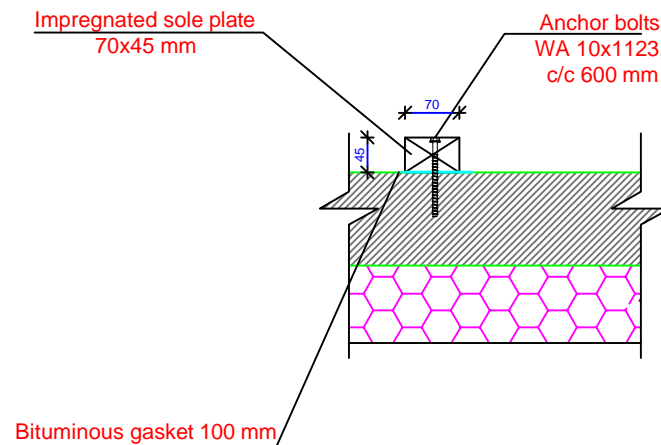
### Sole plate for outside walls fixing detail



### Window till concrete finishing detail

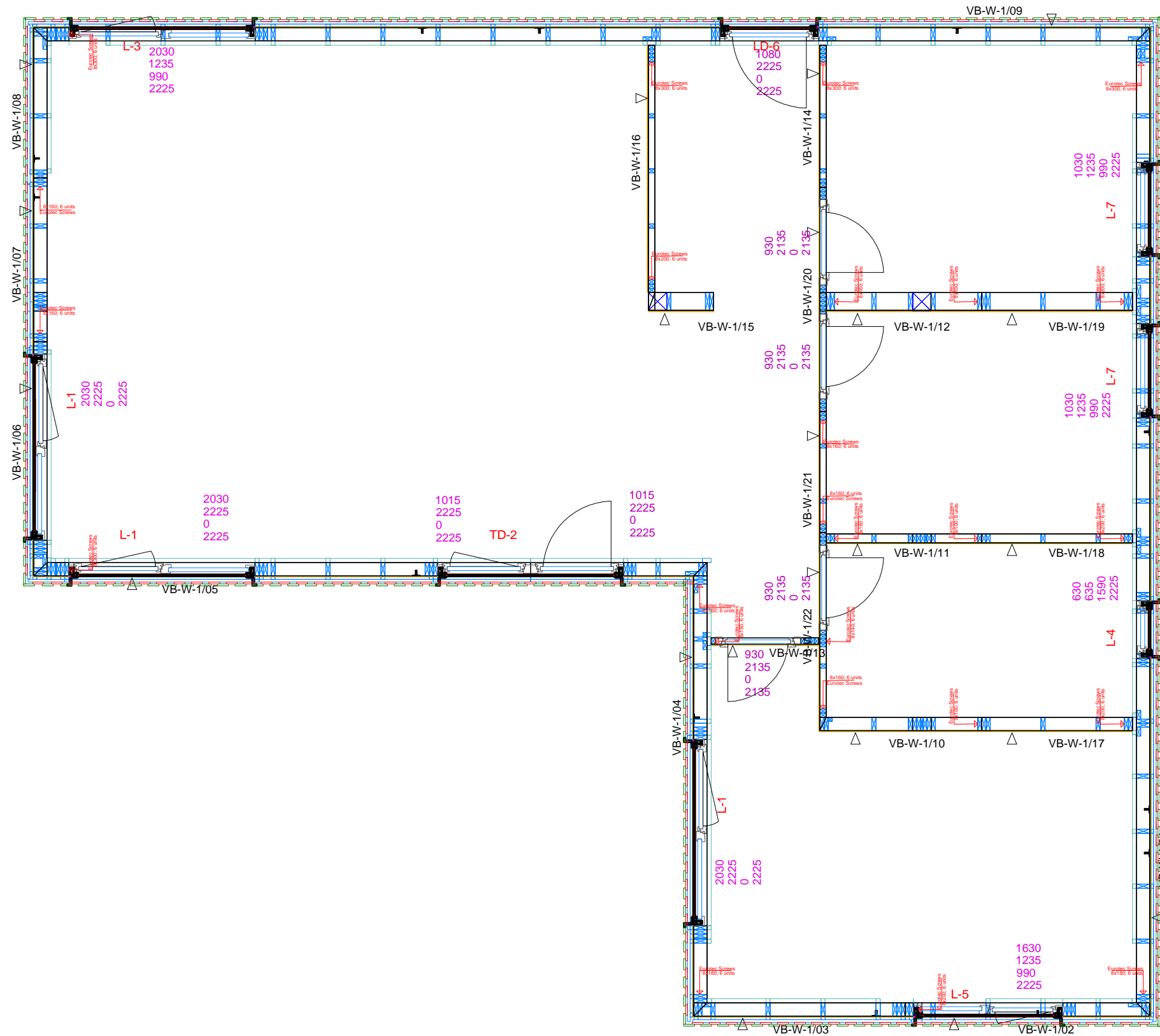


### Sole plate for inside walls fixing detail



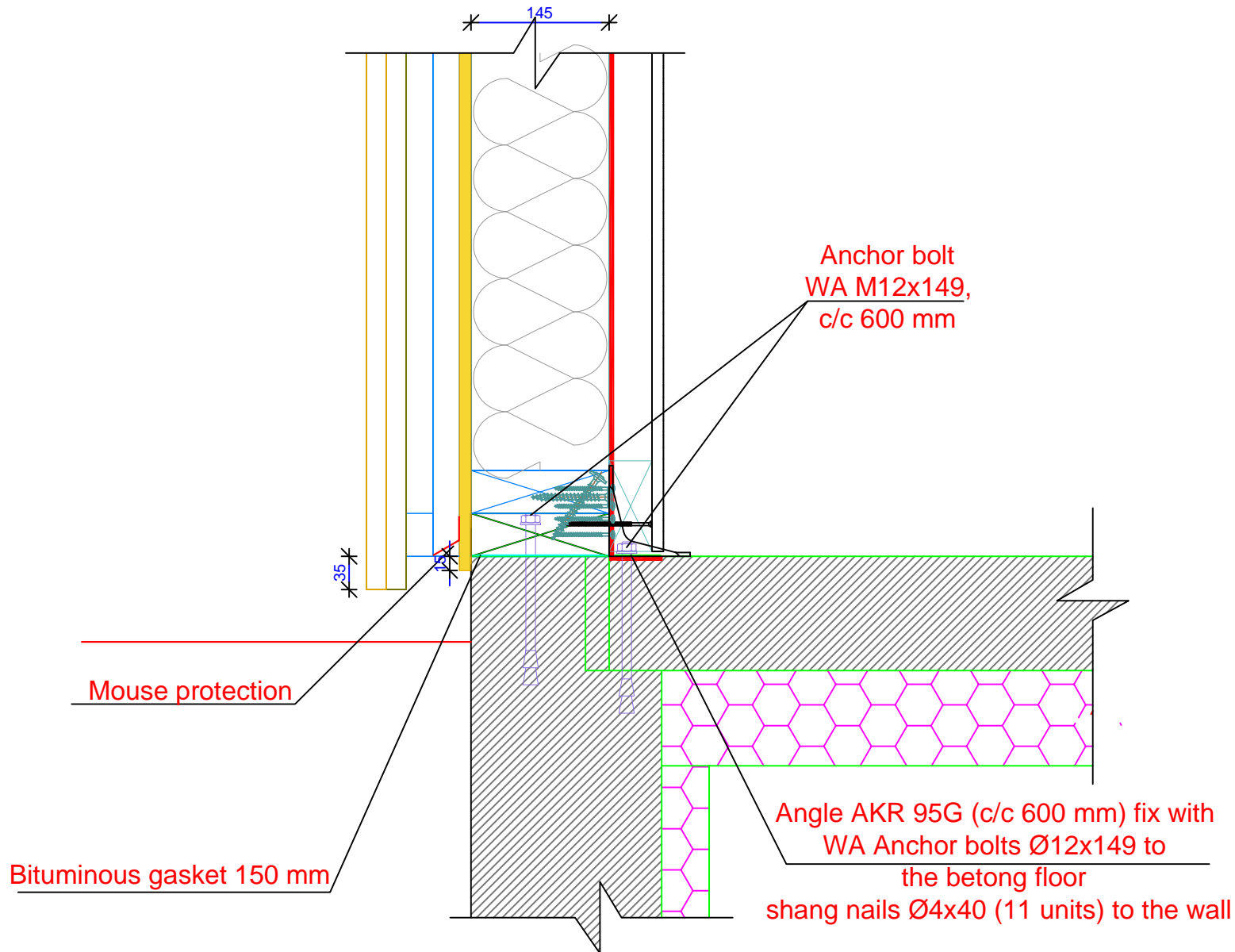
Drawing name: <b>Sole plate fixing details</b>		
Customer name: <b>Tekta EHF House 97 m<sup>2</sup> Óðinsstóðigur 4, 801 Selfoss Iceland</b>		Approved:
Control project		Sign.:      Kontrol:
File name: TEKTA EHF House 97 m <sup>2</sup>		Date: <b>01.12.2021</b>
Sheet format (A3): <b>1:50</b>		Checking your order
Sign.:      Kontrol:		Project for the supplier:
Project name: <b>SK-S-376</b>	Construction drawing name: <b>Dr-02</b>	Check: <b>...</b>

First floor plan M1:50



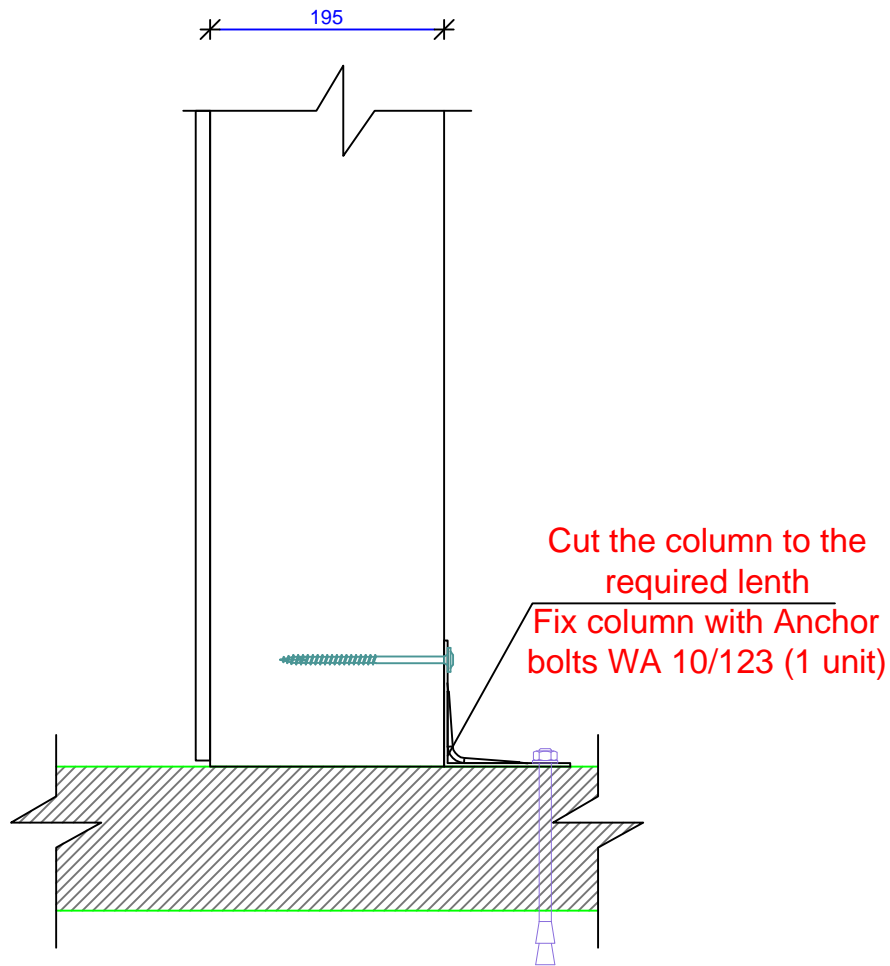
Drawing name: <b>First floor plan</b>		Approved:	
Customer name: <b>Tekta EHF</b> <b>House 97 m<sup>2</sup></b> <b>Óðinsstöðigur 4,</b> <b>801 Selfoss</b> <b>Iceland</b>		Control project	
		Sign.:	Control:
		File name: TEKTA EHF House 97 m <sup>2</sup>	
		Date: <b>01.12.2021</b>	
		Sheet format (A3): <b>1:50</b>	
		Checking your order	
		Sign.:	Kontrol:
Project name.: <b>SK-S-376</b>	Construction drawing name: <b>Dr-03</b>	Project for the supplier:	
Drawing name: <b>First floor plan</b>		Check: <b>...</b>	

# Outside walls conection with sole plate detail



Customer name: <b>Tekta EHF</b> House 97 m <sup>2</sup> ÓðinsstÓðigur 4, 801 Selfoss Iceland		Approved: ...
Project name: <b>SK-S-376</b>		Control project Sign.:
Drawing name: <b>Outside walls conection with sole plate detail</b>		File name: TEKTA EHF House 97 m <sup>2</sup>
Construction drawing name: <b>Dr-04</b>		Date: 10.11.2021
Project for the supplier:		Sheet format (A3): 1:20
Check:		Checking your order Sign.:

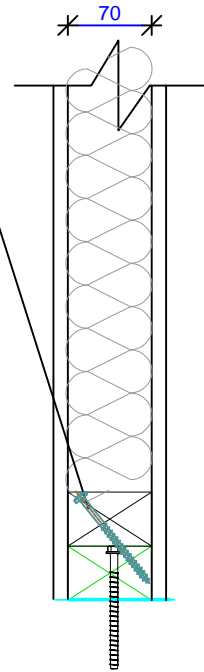
# Inside column fixing to the betong floor detail



Customer name: <b>Tekta EHF</b> <b>House 97 m<sup>2</sup></b> <b>Óðinsstóðigur 4,</b> <b>801 Selfoss</b> <b>Iceland</b>		Approved: *** Control project Sign.: File name: TEKTA EHF House 97 m <sup>2</sup>
		Date: 01.12.2021 Sheet format (A3): 1:20 Checking your order Sign.:
Project name: <b>SK-S-376</b>	Construction drawing name: <b>Dr-05</b>	Project for the supplier:
Drawing name: <b>Inside column fixing detail</b>		Check:

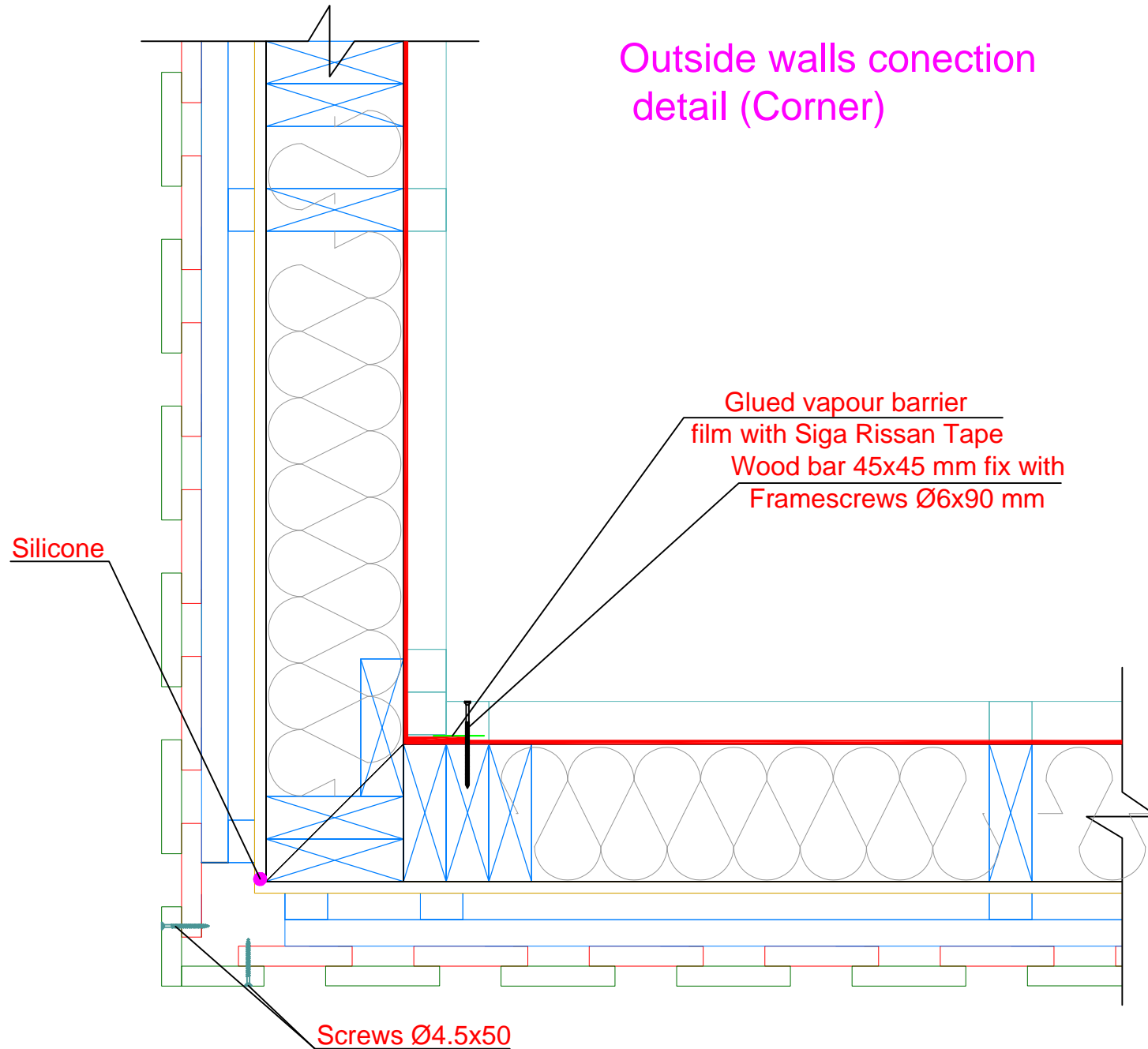
## Inside walls fixing to the betong floor detail

Inside Wall and sole plate conection  
with Screws  $\text{\O}6 \times 90$  mm, c/c 600 mm



Customer name: <b>Tekta EHF</b> <b>House 97 m<sup>2</sup></b> <b>Óðinsstóðigur 4,</b> <b>801 Selfoss</b> <b>Iceland</b>		Approved: *** Control project Sign.: File name: TEKTA EHF House 97 m <sup>2</sup>
		Date: 10.11.2021 Sheet format (A3): 1:20 Checking your order Sign.:
Project name: <b>SK-S-376</b>	Construction drawing name: <b>Dr-06</b>	Project for the supplier:
Drawing name: <b>Inside column fixing detail</b>		Check:

# Outside walls connection detail (Corner)



Glued vapour barrier film with Siga Rissan Tape  
 Wood bar 45x45 mm fix with Framescrews Ø6x90 mm

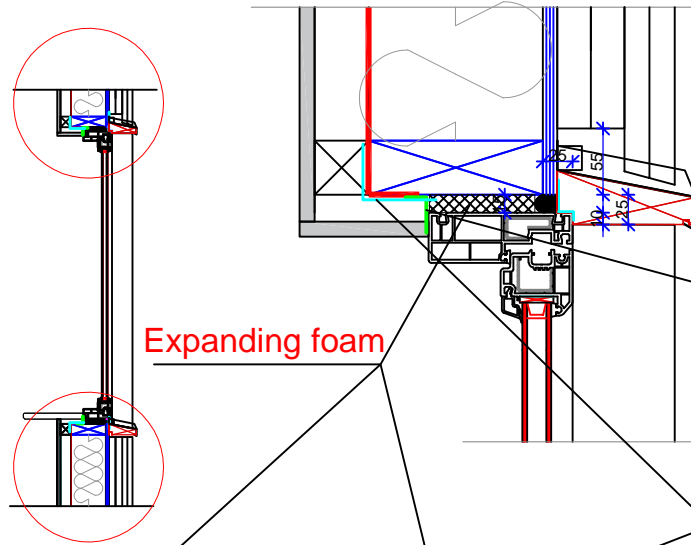
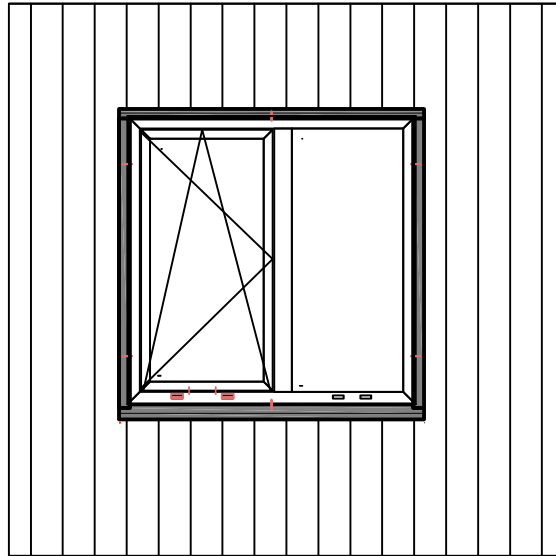
Silicone

Screws Ø4.5x50

Customer name: <b>Tekta EHF</b> <b>House 97 m<sup>2</sup></b> <b>Oðinsstöðigur 4,</b> <b>801 Selfoss</b> <b>Iceland</b>		Approved: ... Control project: Sign.: File name: TEKTA EHF House 97 m <sup>2</sup>
		Date: <b>10.11.2021</b> Sheet format (A3): <b>1:20</b> Checking your order Sign.:
Project name: <b>SK-S-376</b>	Construction drawing name: <b>Dr-07</b>	Project for the supplier:
Drawing name: <b>Outside walls connection detail (Corner)</b>		Check:



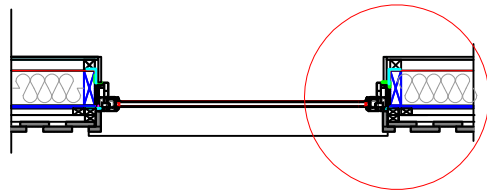
# Window instalation detail



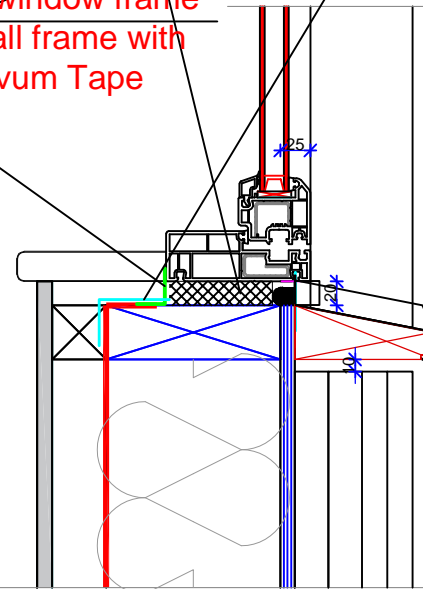
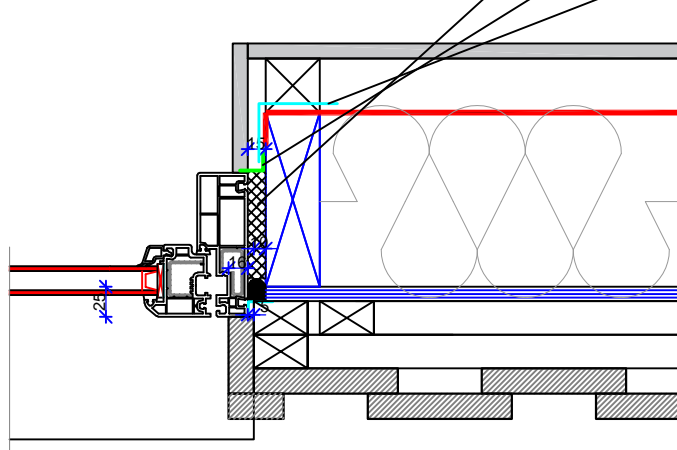
Expanding foam

From inside window frame  
glue with wall frame with  
Siga Corvum Tape

From inside vapour film  
glue with wall frame with  
Siga Risan tape



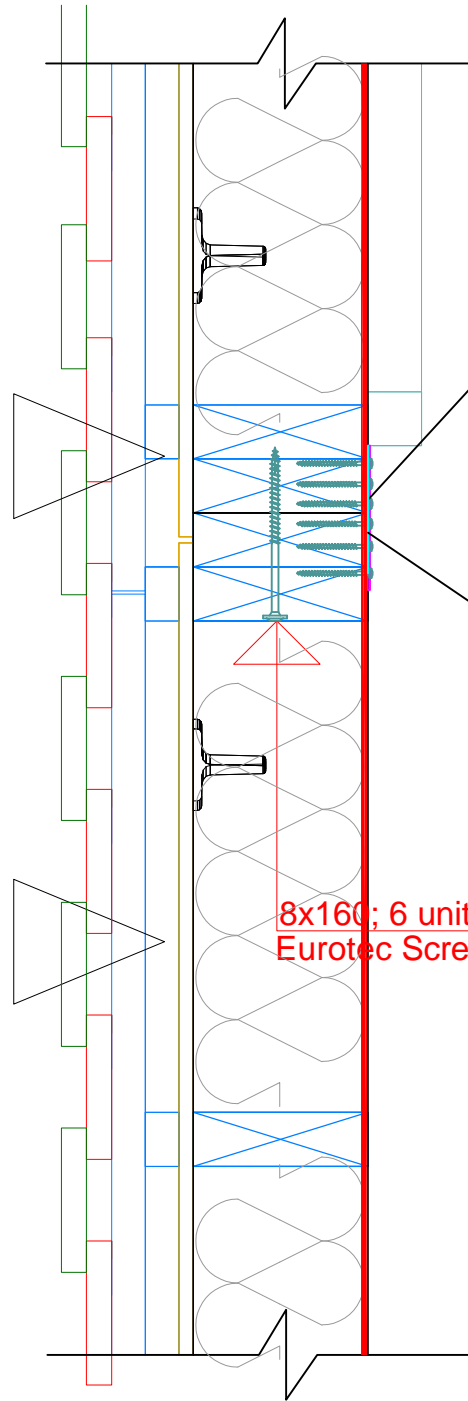
From inside window frame  
glue with wall frame with  
Siga Corvum Tape



Customer name: <b>Tekta EHF</b> House 97 m <sup>2</sup> Öðinsstöðigur 4, 801 Selfoss Iceland		Approved: ...
Project name: <b>SK-S-376</b>		Control project Sign.:
Drawing name: <b>Window instalation detail</b>		File name: TEKTA EHF House 97 m <sup>2</sup>
Construction drawing name: <b>Dr-08</b>		Date: 10.11.2021
		Sheet format (A3): 1:20
		Checking your order Sign.:
		Project for the supplier:
		Check:

VB-W-1/08

VB-W-1/07



# Outside walls conection detail

Conect outside walls and load bearing walls with Nail plate

NP 20/120/200 (3 units).  
Fix NP with ring shank nails Ø4x40 mm

Glue vapour barrier with Siga Rissan Tape

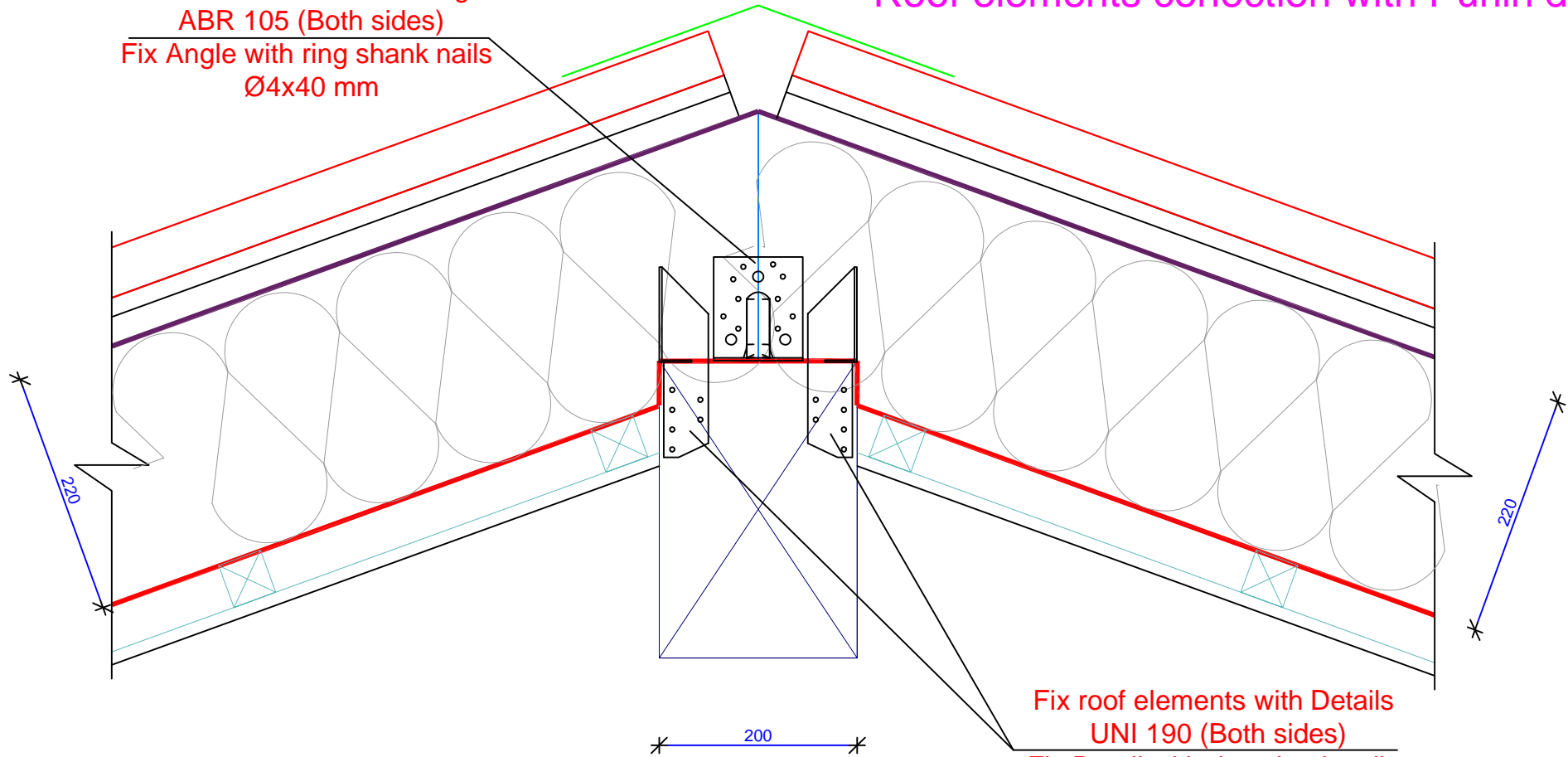
8x160; 6 units Eurotec Screws

Customer name: <b>Tekta EHF</b>		Approved:
House 97 m <sup>2</sup>		Control project: ...
Öðinsstöðigur 4, 801 Selfoss Iceland		Sign.:
File name: TEKTA EHF House 97.mpd		Date: 01.12.2021
		Sheet format (A3): 1:20
		Checking your order Sign.:
Project name: <b>SK-S-376</b>	Construction drawing name: <b>Dr-09</b>	Project for the supplier:
Drawing name: <b>Outside walls connection detail</b>		Check:



Fix roof elements fix with Angles  
ABR 105 (Both sides)  
Fix Angle with ring shank nails  
Ø4x40 mm

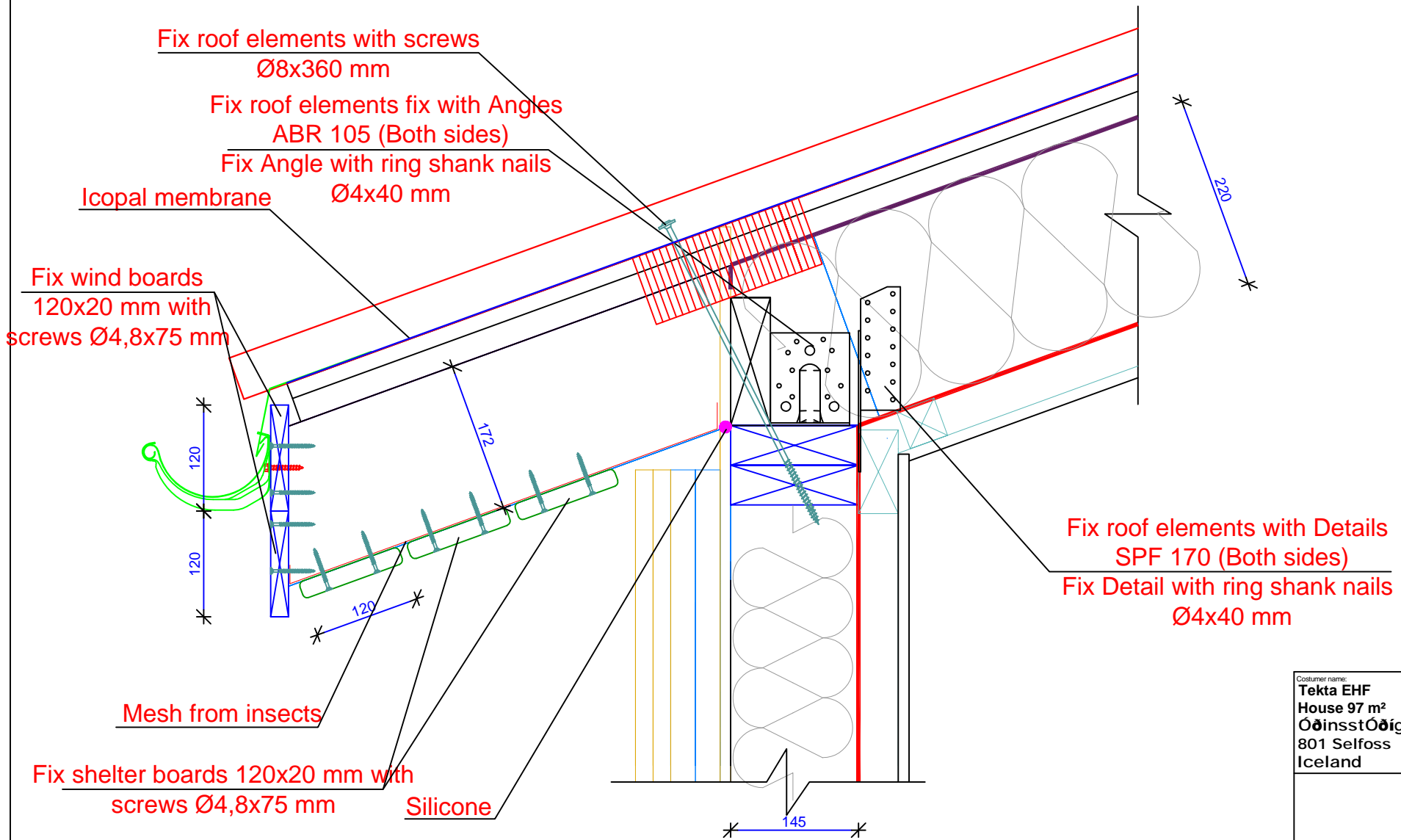
## Roof elements conection with Purlin detail



Fix roof elements with Details  
UNI 190 (Both sides)  
Fix Detail with ring shank nails  
Ø4x40 mm

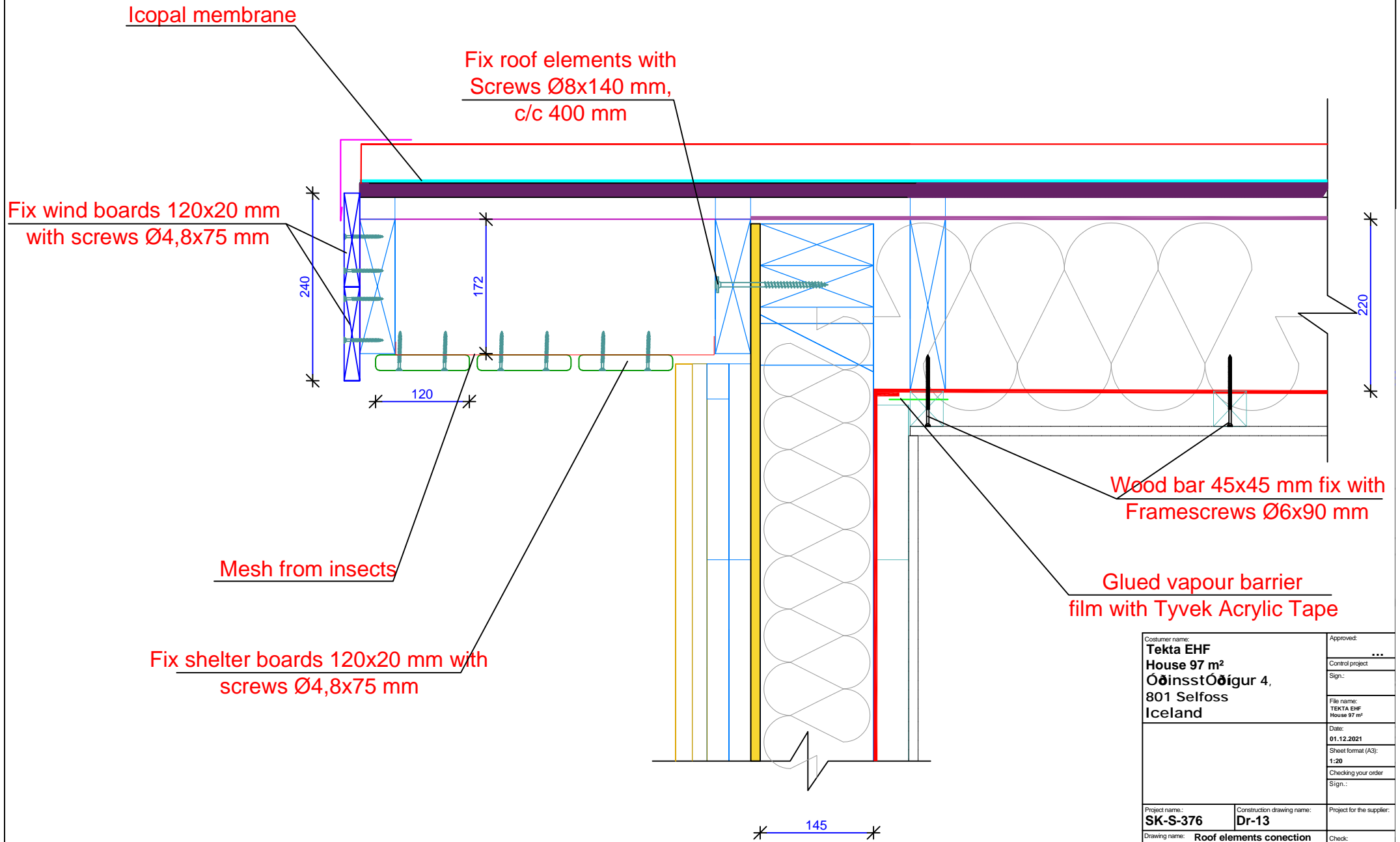
Customer name: <b>Tekta EHF</b> <b>House 97 m<sup>2</sup></b> <b>Oðinsstöðigur 4,</b> <b>801 Selfoss</b> <b>Iceland</b>		Approved: ***
Project name: <b>SK-S-376</b>		Control project: Sign: _____
Drawing name: <b>Roof elements conection</b> <b>with Purlin detail</b>		File name: TEKTA EHF House 97 m <sup>2</sup>
Construction drawing name: <b>Dr-11</b>		Date: <b>10.11.2021</b>
Project for the supplier:		Sheet format (A3): <b>1:20</b>
Check:		Checking your order Sign: _____

# Roof elements conection with outside wall detail



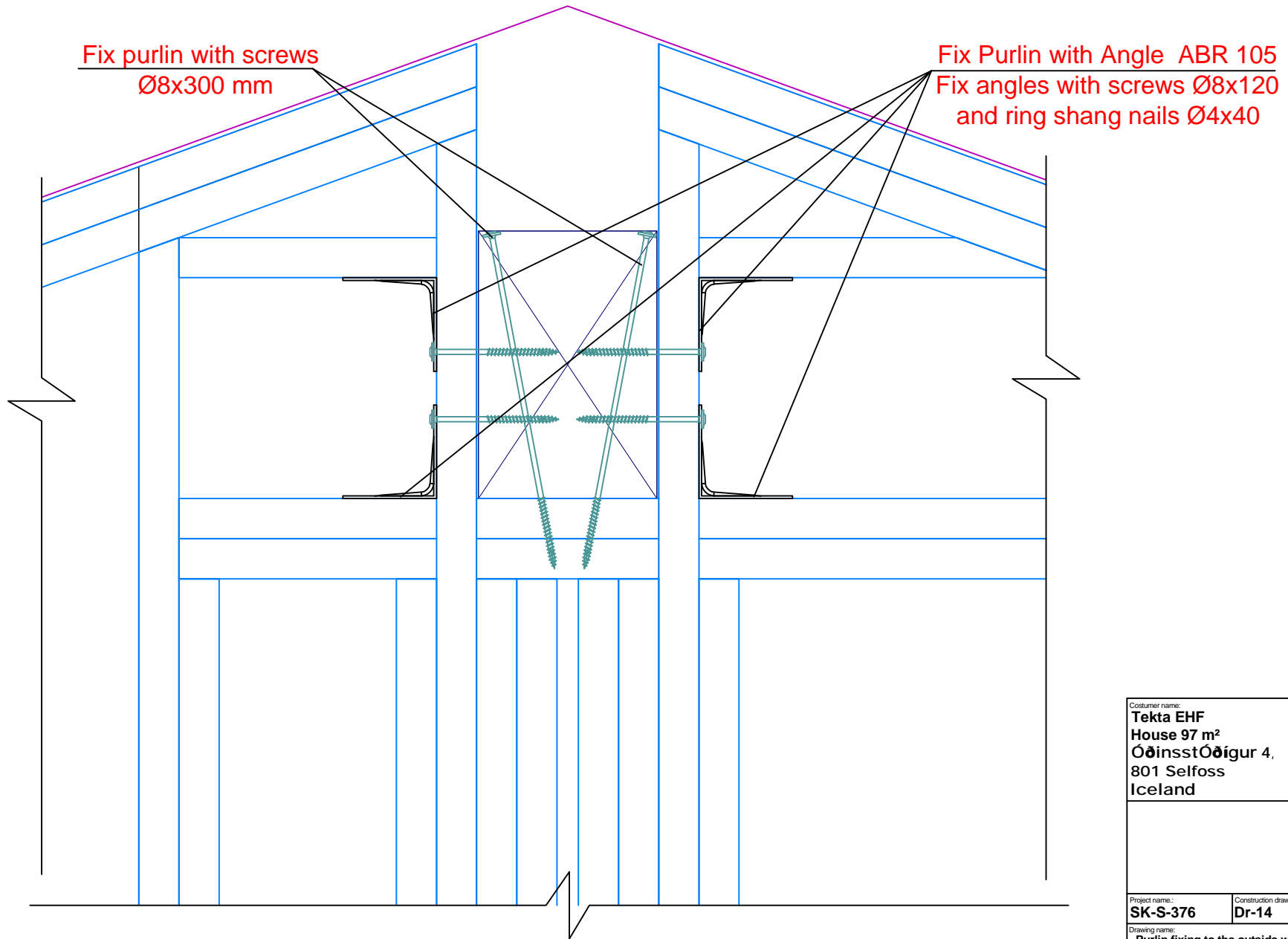
Customer name: <b>Tekta EHF</b> House 97 m <sup>2</sup> Óðinsstóðigur 4, 801 Selfoss Iceland		Approved: ***
Control project Sign.:		File name: TEKTA EHF House 97 m <sup>2</sup>
Date: 01.12.2021		Sheet format (A3): 1:20
Checking your order Sign.:		Project for the supplier:
Project name: <b>SK-S-376</b>	Construction drawing name: <b>Dr-12</b>	Check:
Drawing name: <b>Roof elements conection with outside wall detail</b>		

# Roof elements conection with outside wall



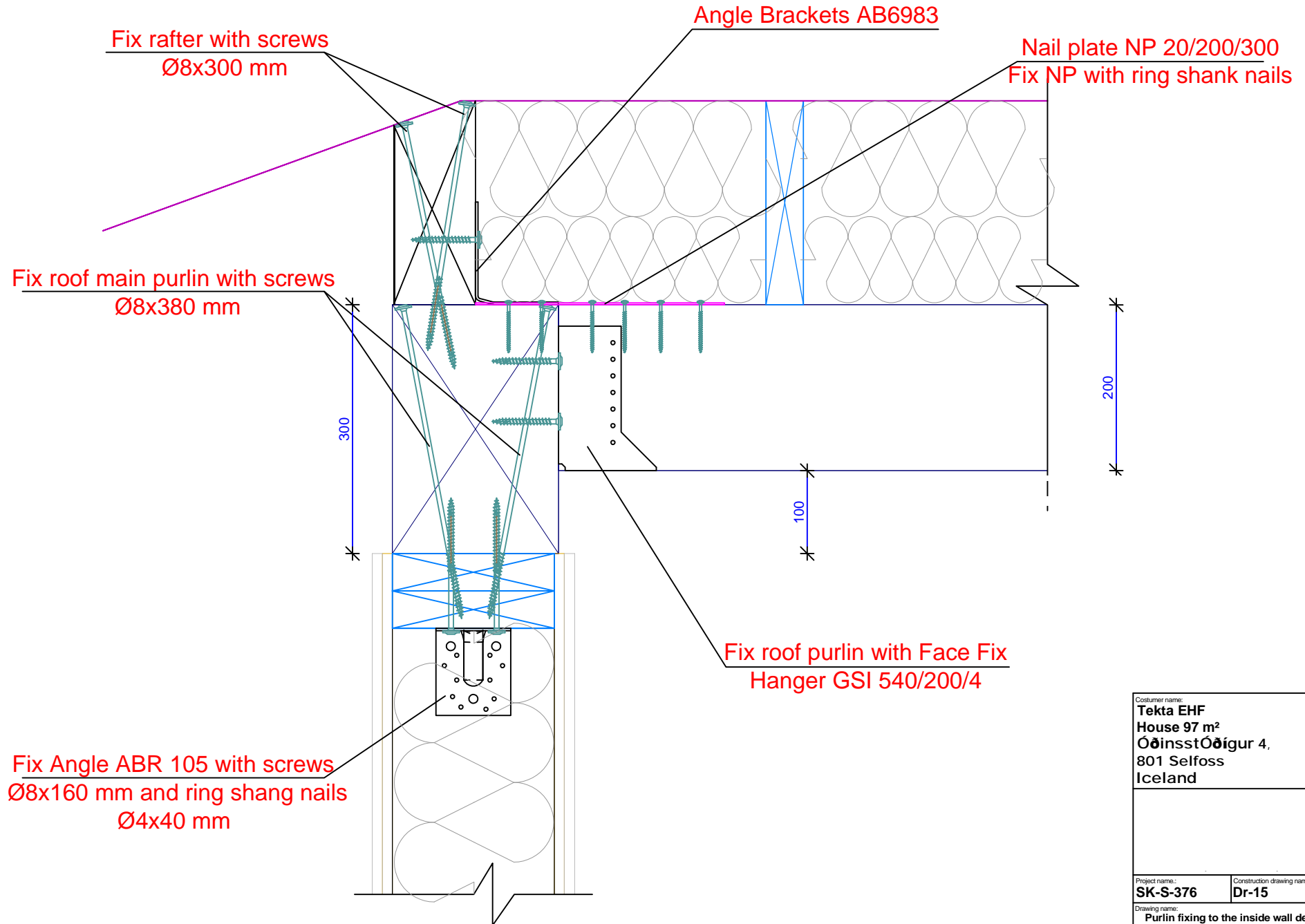
Customer name: <b>Tekta EHF</b>		Approved: ...
Project name: <b>House 97 m<sup>2</sup></b>		Control project Sign.:
Drawing name: <b>ÖðinsstÖðigur 4,</b>		File name: TEKTA EHF House 97 m <sup>2</sup>
Drawing name: <b>801 Selfoss</b>		Date: 01.12.2021
Drawing name: <b>Iceland</b>		Sheet format (A3): 1:20
Project name: <b>SK-S-376</b>		Checking your order Sign.:
Construction drawing name: <b>Dr-13</b>		Project for the supplier:
Drawing name: <b>Roof elements conection with outside wall detail</b>		Check:

# Purlins fixing to the outside wall detail



Customer name: <b>Tekta EHF</b> <b>House 97 m<sup>2</sup></b> <b>Óðinsstóðigur 4,</b> <b>801 Selfoss</b> <b>Iceland</b>		Approved: *** Control project Sign.: File name: TEKTA EHF House 97 m <sup>2</sup>
Date: 10.11.2021 Sheet format (A3): 1:20 Checking your order Sign.:		Project for the supplier:
Project name: <b>SK-S-376</b>	Construction drawing name: <b>Dr-14</b>	Check:
Drawing name: <b>Purlin fixing to the outside wall detail</b>		

# Purlins fixing to the inside wall detail

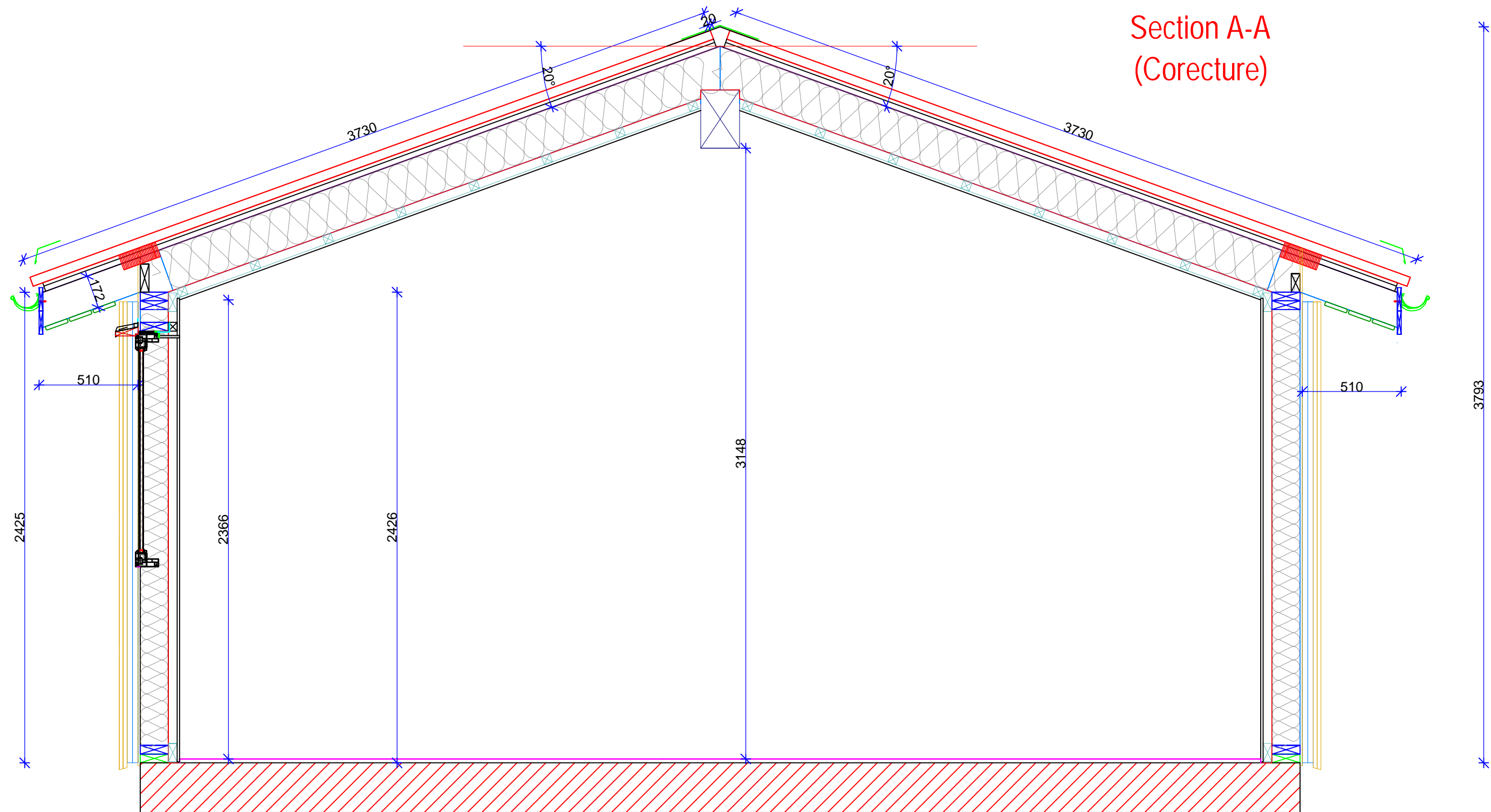


Customer name: <b>Tekta EHF</b>		Approved: ...
Project name: <b>House 97 m<sup>2</sup></b>		Control project Sign.:
Address: <b>Óðinsstóðigur 4, 801 Selfoss Iceland</b>		File name: TEKTA EHF House 97 m <sup>2</sup>
Date: 10.11.2021		Sheet format (A3): 1:20
Checking your order Sign.:		Project for the supplier:
Project name: <b>SK-S-376</b>	Construction drawing name: <b>Dr-15</b>	Check:
Drawing name: <b>Purlin fixing to the inside wall detail</b>		





Section A-A  
(Corecture)



Costumer name: <b>Tekta EHF</b> <b>House 97 m<sup>2</sup></b> <b>Óðinsstóðigur 4,</b> <b>801 Selfoss</b> <b>Iceland</b>		Approved: ...
		Control project Sign.:
		File name: TEKTA EHF House 97 m <sup>2</sup>
		Date: 12.11.2021
		Sheet format (A3): 1:20
		Checking your order Sign.:
Project name: <b>SK-S-376</b>	Construction drawing name: <b>Dr-17</b>	Project for the supplier:
Drawing name: <b>Section A-A (Corecture)</b>		Check: