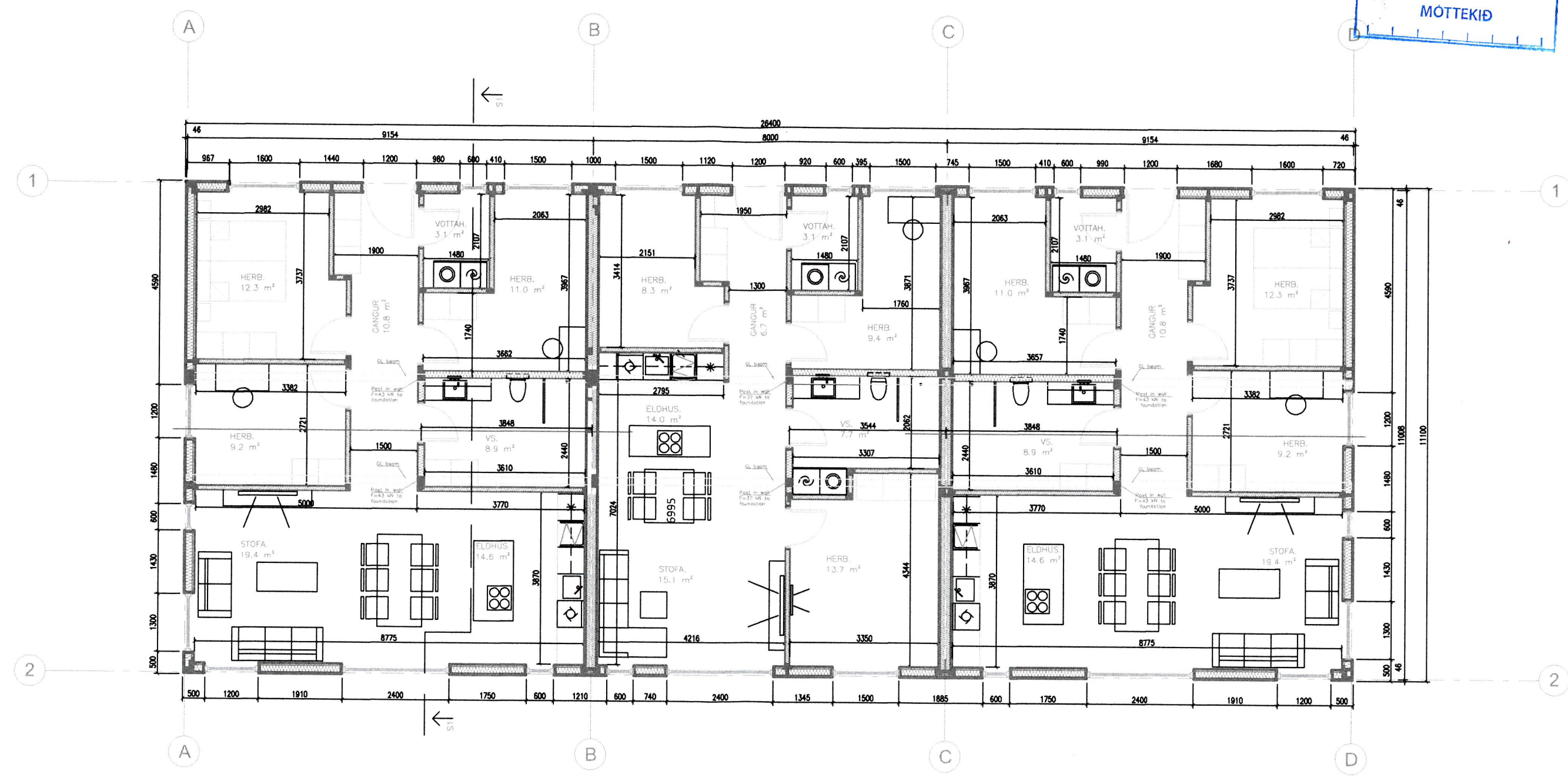


Umhverfis- og tæknisvið
 Uppsveita
 16. júní 2020
 MÖTTEKIÐ

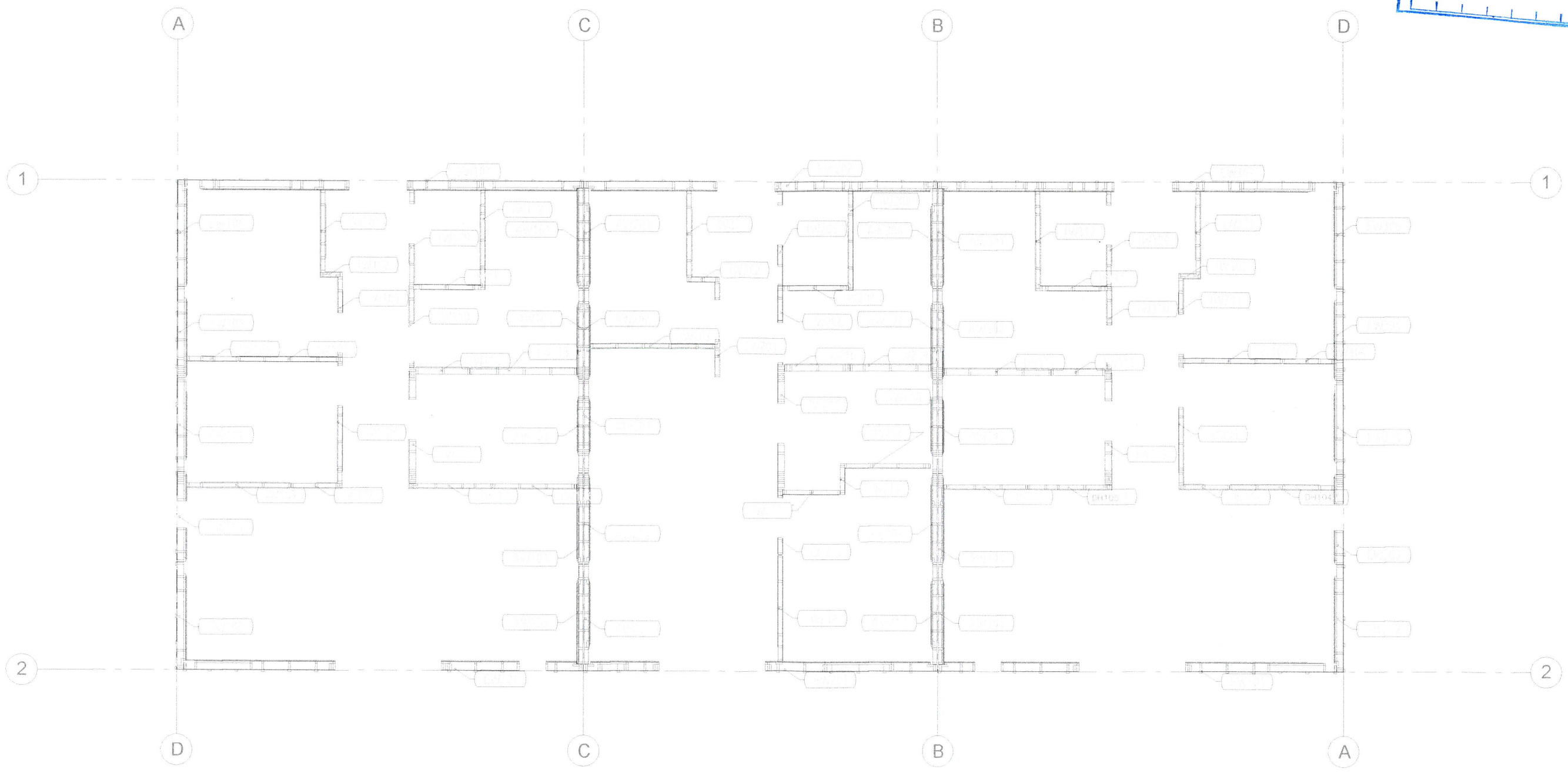


welement
 Welement AS Estonia, Tartu, Kloostri 14, 50409
 welement.ee
 info@welement.ee

PROJECT	CONTRACT NR.	CUSTOMER	REVISION	DATE
Fagurhjöll	001	---	1	14.01.2020
DRAWING	DRAWING NR.	DESIGNER	DESIGNER	SCALE
Plan	---	I.Sikk	R.Raig	###
				SHEET
				1/1

Handwritten initials/signature.

Umhverfis- og tæknisvið
Uppsveita
16. júní 2020
MÓTTÉKIÐ

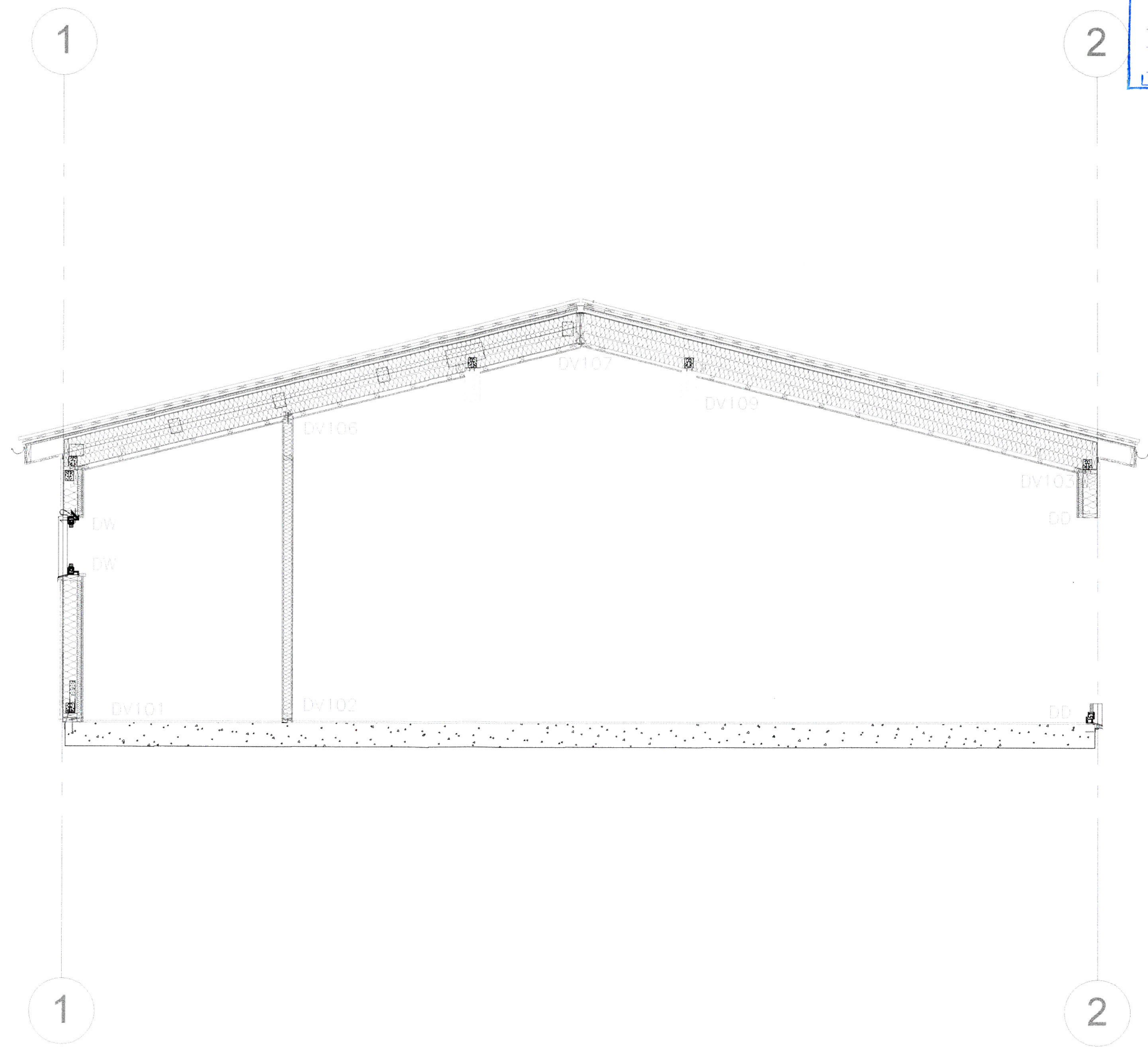


Handwritten signature

PROJECT	CONTRACT NR.	CUSTOMER	REVISION	DATE
Fagurhjöll	1911	-	2	21.11.2019
DRAWING	DRAWING NR.	DESIGNER	DESIGNER	SCALE
		I.Sikk	R.Raig	1:100
				SHEET
				1/1

Wall elements plan

Umhverfis- og tæknisvið
 Uppsveita
 16. júní 2020
 MÖTTEKIÐ

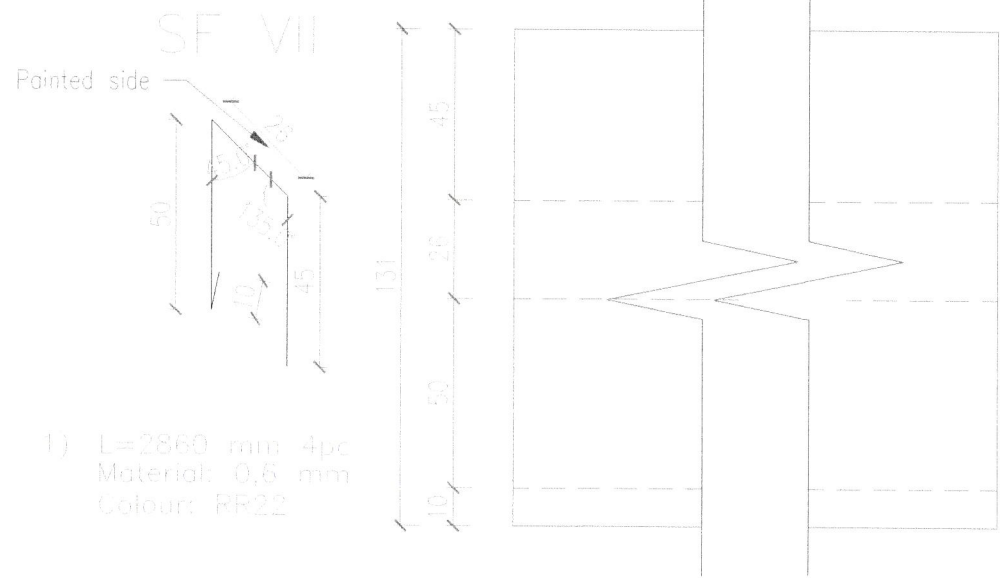


Handwritten signature

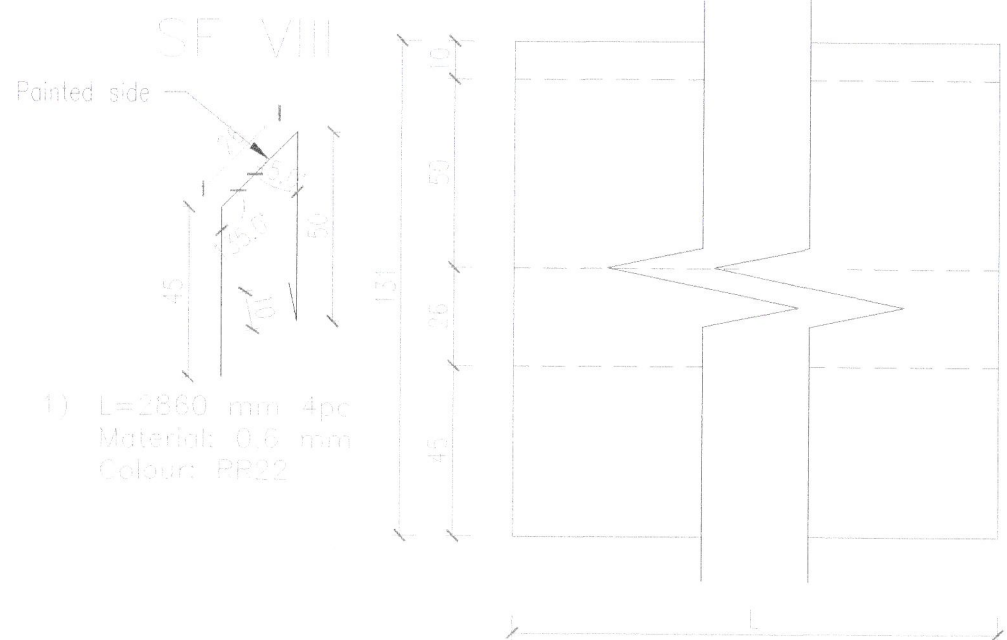
PROJECT	CONTRACT NR.	CUSTOMER	REVISION	DATE
Fagurhjöll	1911	-	1	30.10.2019
DRAWING	DRAWING NR.	DESIGNER	DESIGNER	SCALE
	--	L.Sikk	R.Raig	1:50
				SHEET
				1/1

Section S1

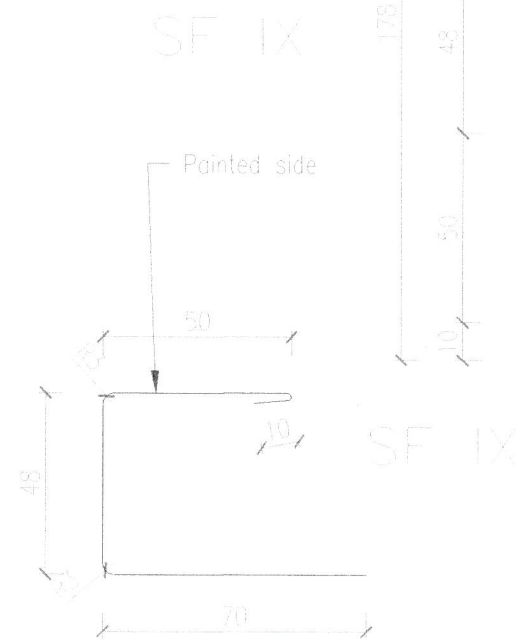
Umhverfis- og tæknisvið
48
Uppsveita
16. júní 2020
MÖTTEKIÐ



1) L=2860 mm 4pc
Material: 0,6 mm
Colour: RR22

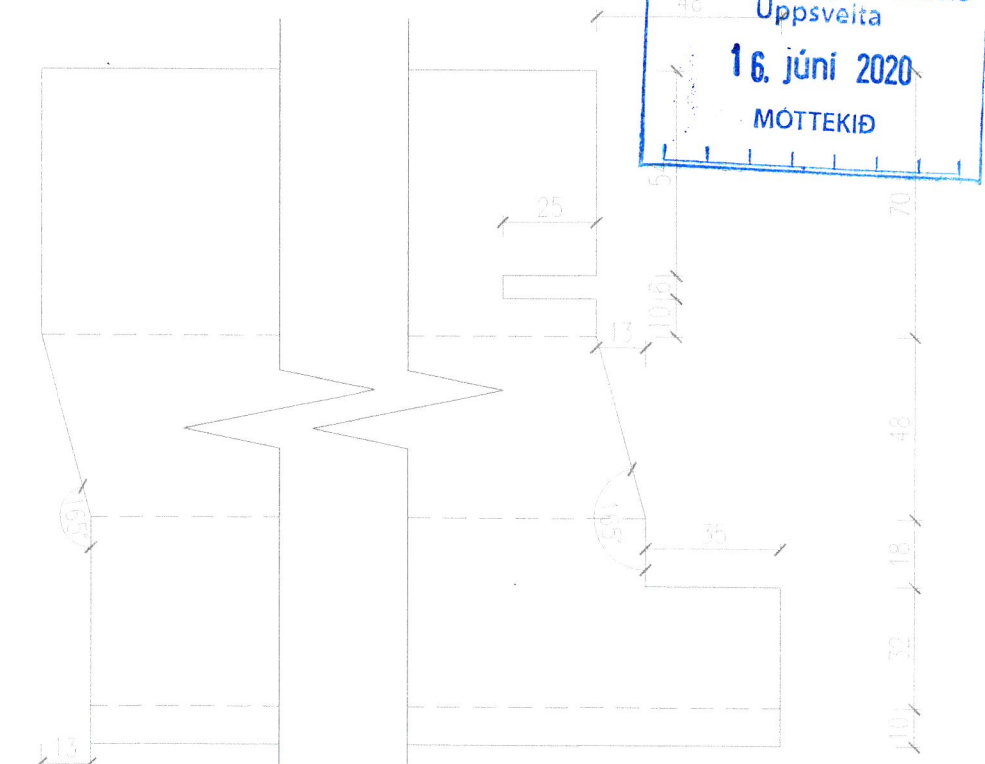


1) L=2860 mm 4pc
Material: 0,6 mm
Colour: RR22

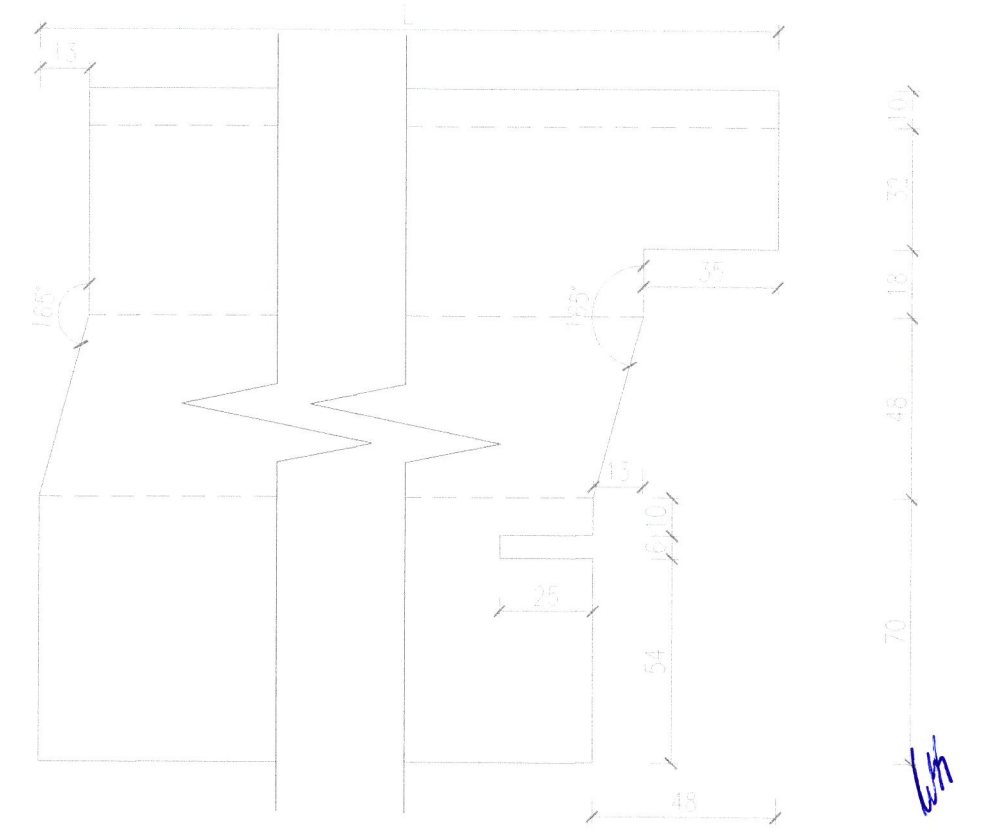


Left side:
1) L=2240 mm 6pc
Material: 0,6 mm
Colour: RR22

Right side:
1) L=2240 mm 6pc
Material: 0,6 mm
Colour: RR22



SF IX (left side; looked from outside)



SF IX (right side; looked from outside)

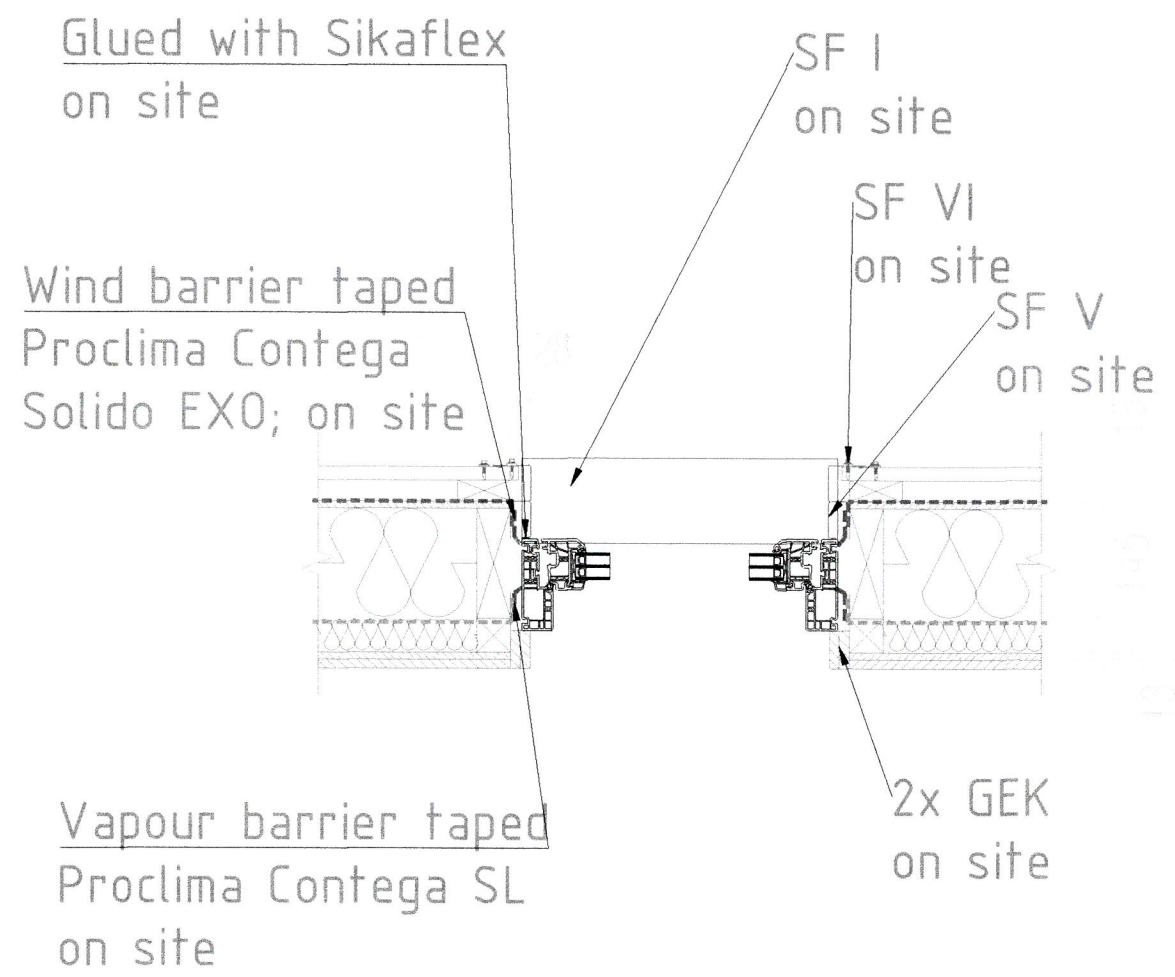
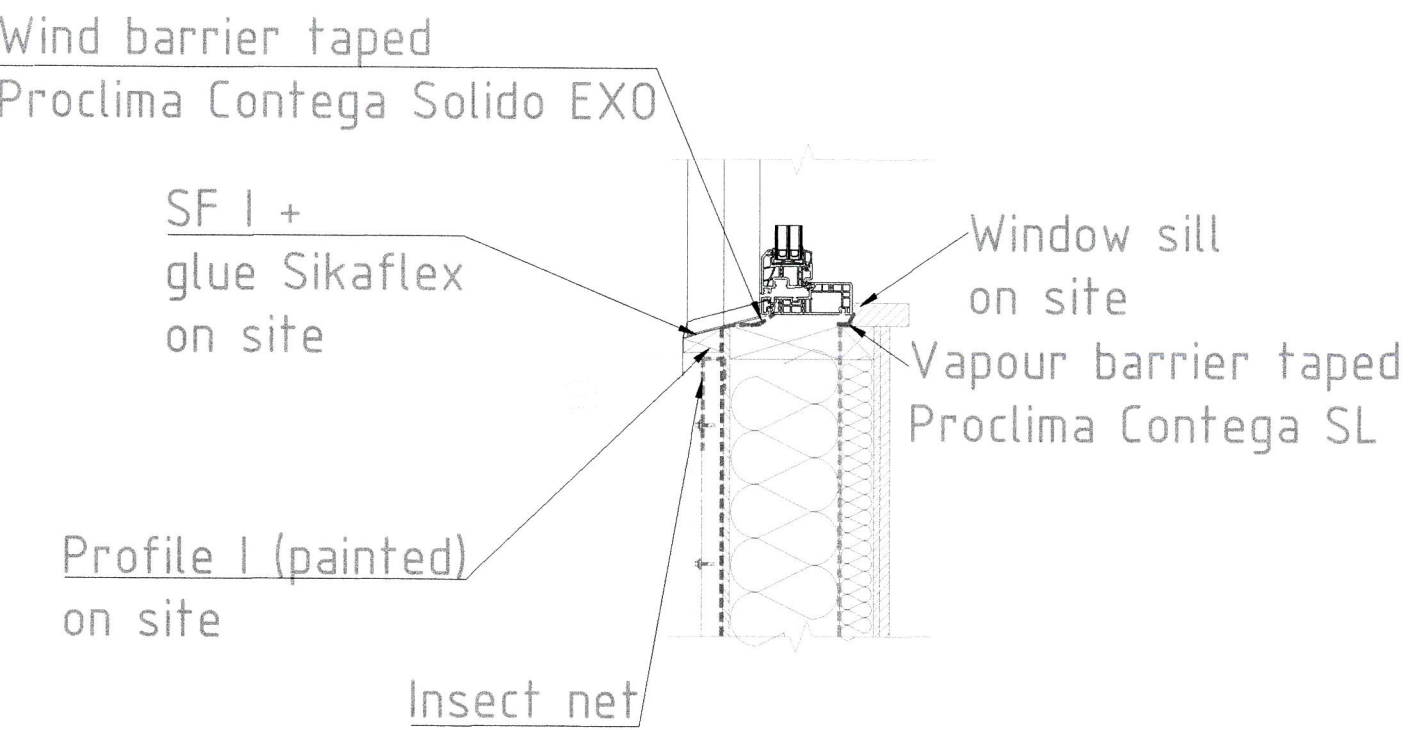
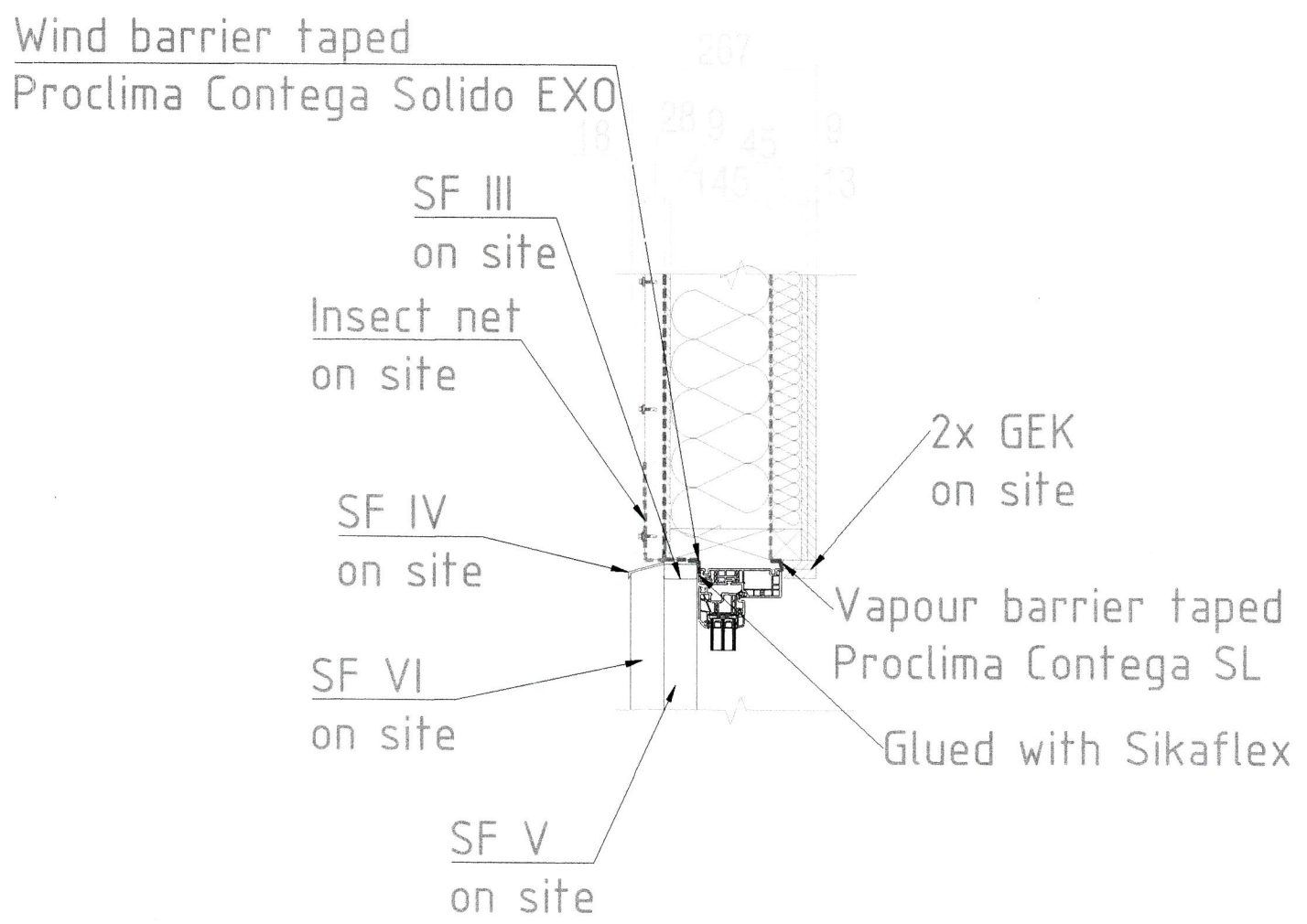


Welement AS Estonia, Tartu, Klaasi 14, 50405
welement.ee
info@welement.ee

PROJECT	CONTRACT NR.	CUSTOMER	REVISION	DATE
Fagurhjöll	1911	-	2	04.11.2019
DRAWING	DRAWING NR.	DESIGNER	DESIGNER	SCALE
SF VII...IX	--	I.Sikk	R.Raig	1:2
				SHEET
				1/1

lh

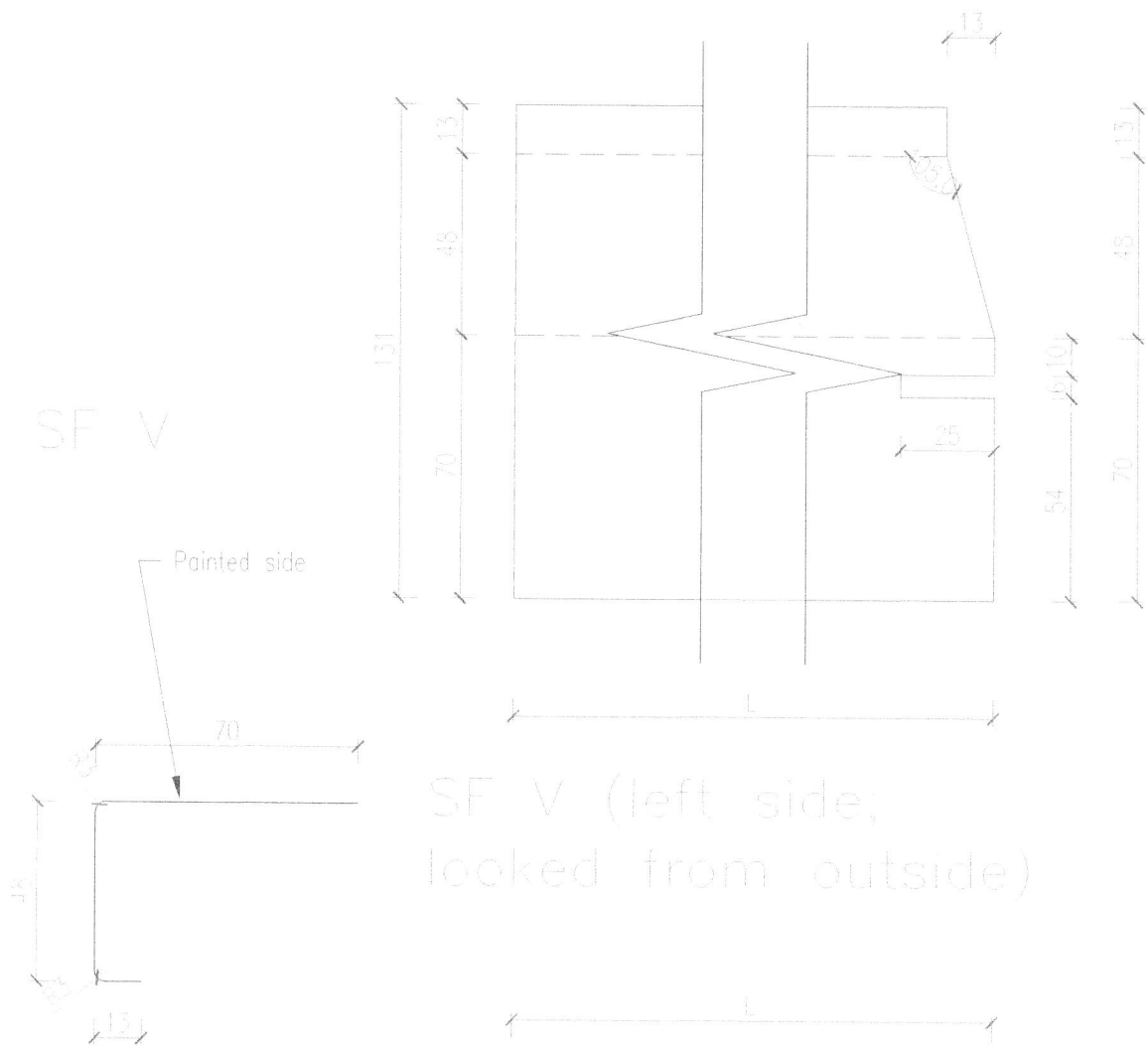
Umhverfis- og tæknisvið
Uppsveita
16. júní 2020
MÖTTEKIÐ



PROJECT	CONTRACT NR.	CUSTOMER	REVISION	DATE
Fagurhjöll	1911	-	1	30.10.2019
DRAWING	DRAWING NR.	DESIGNER	DESIGNER	SCALE
D-Window	-	I.Sikk	R.Raig	1:10
				SHEET
				1/1

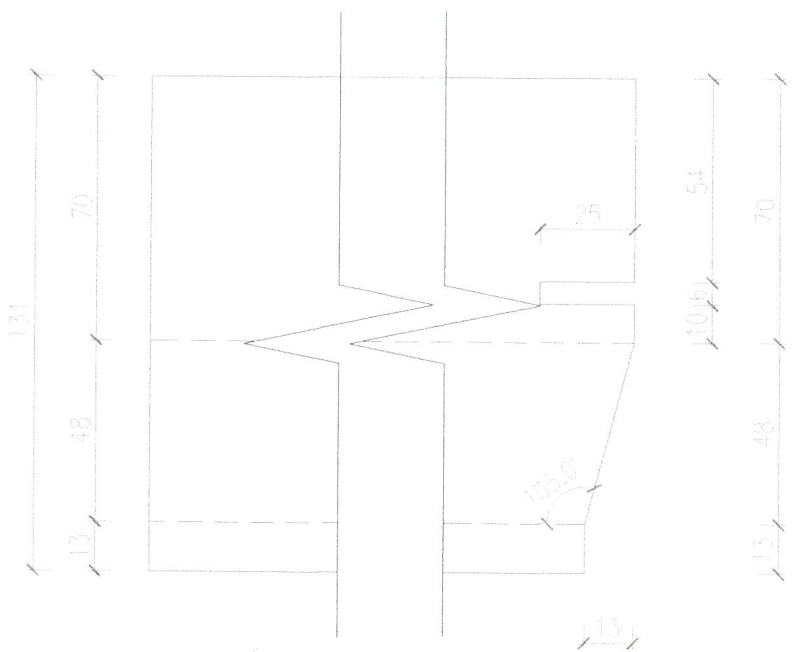
Umhverfis- og tæknisvið
Uppsveita
16. júní 2020
MÓTTEKIÐ

SF V



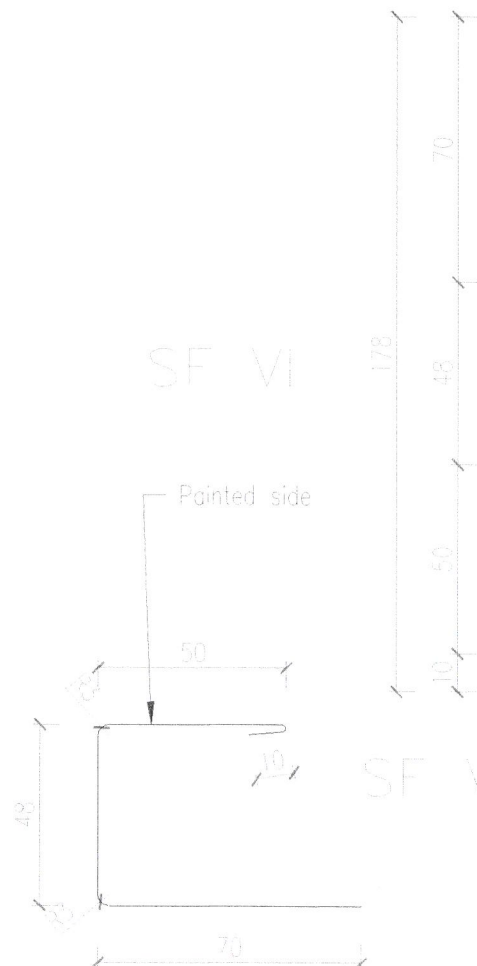
SF V (left side; looked from outside)

- Left side:
- 1) L=1290 mm 14pc
 - 2) L=2090 mm 4pc
 - 3) L=640 mm 3pc
 - 4) L=2190 mm 6pc
- Material: 0,6 mm
Colour: RR22
- Right side:
- 1) L=1290 mm 14pc
 - 2) L=2090 mm 4pc
 - 3) L=640 mm 3pc
 - 4) L=2190 mm 6pc
- Material: 0,6 mm
Colour: RR22



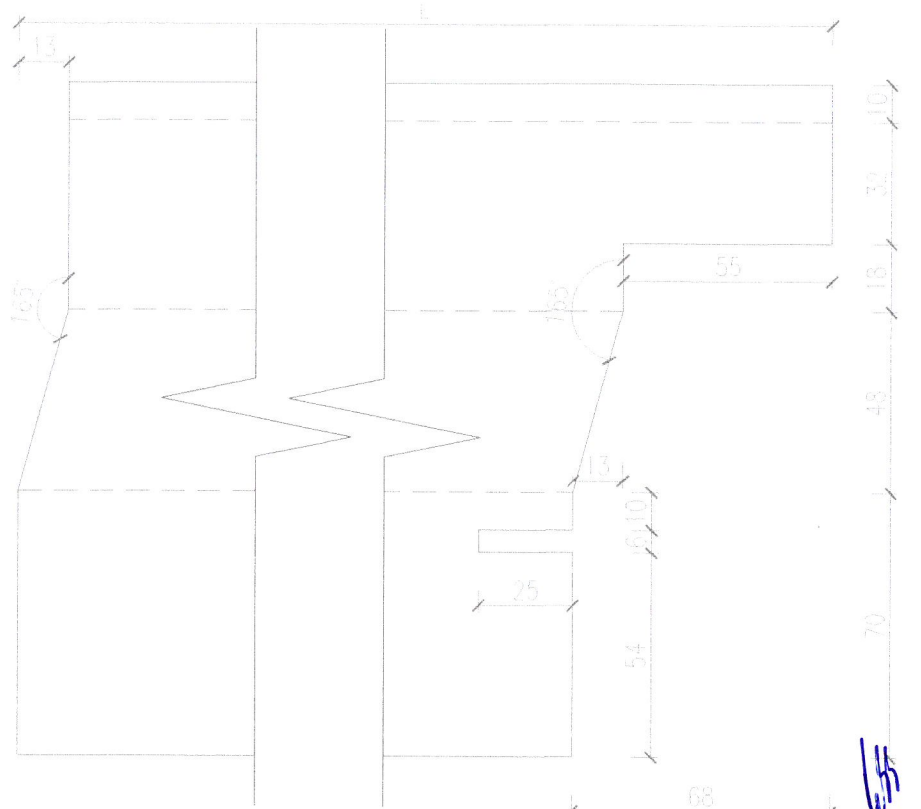
SF V (right side; looked from outside)

SF VI



SF VI (left side; looked from outside)

- Left side:
- 1) L=1360 mm 14pc
 - 2) L=2160 mm 4pc
 - 3) L=710 mm 3pc
- Material: 0,6 mm
Colour: RR22
- Right side:
- 1) L=1360 mm 14pc
 - 2) L=2160 mm 4pc
 - 3) L=710 mm 3pc
- Material: 0,6 mm
Colour: RR22



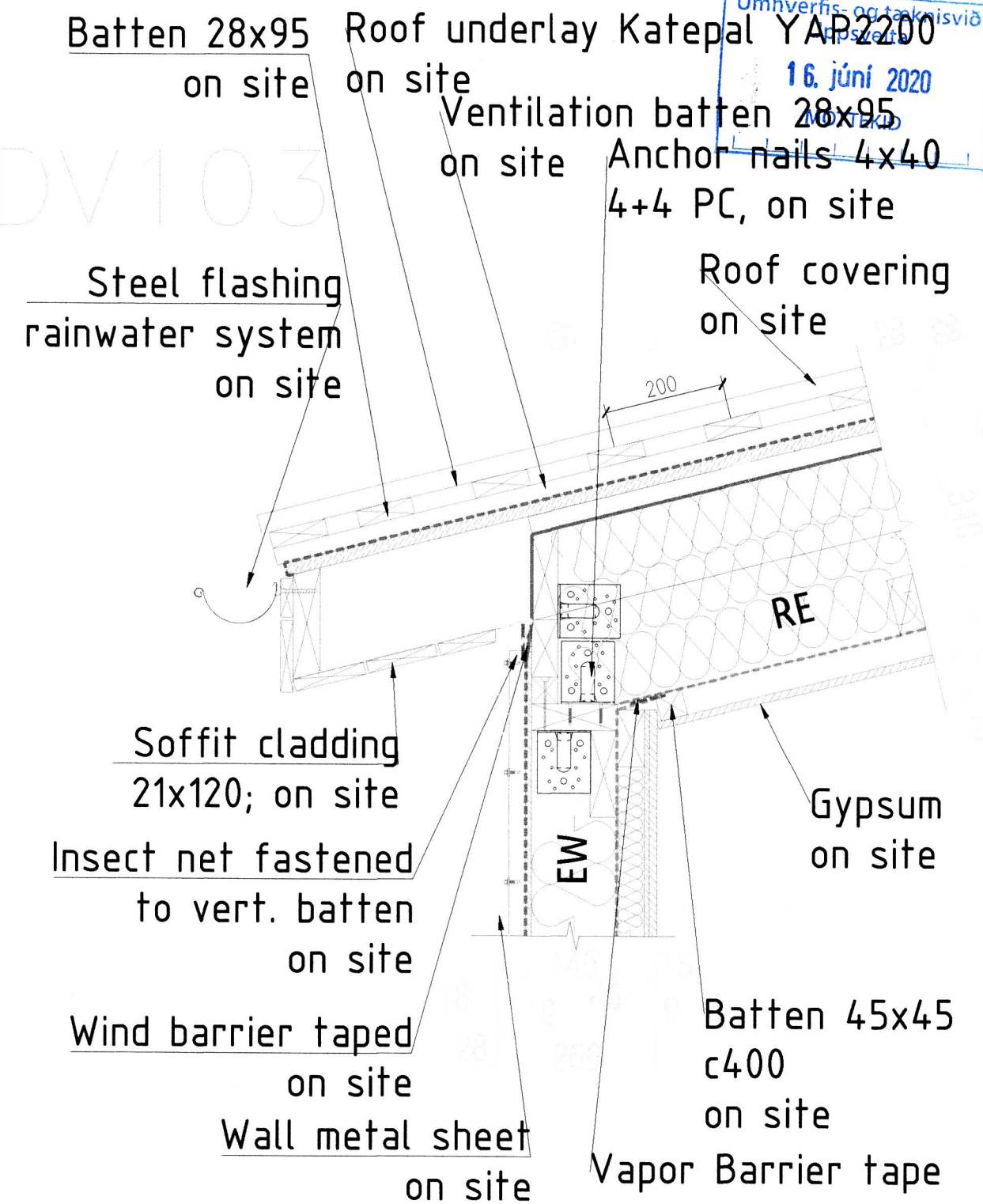
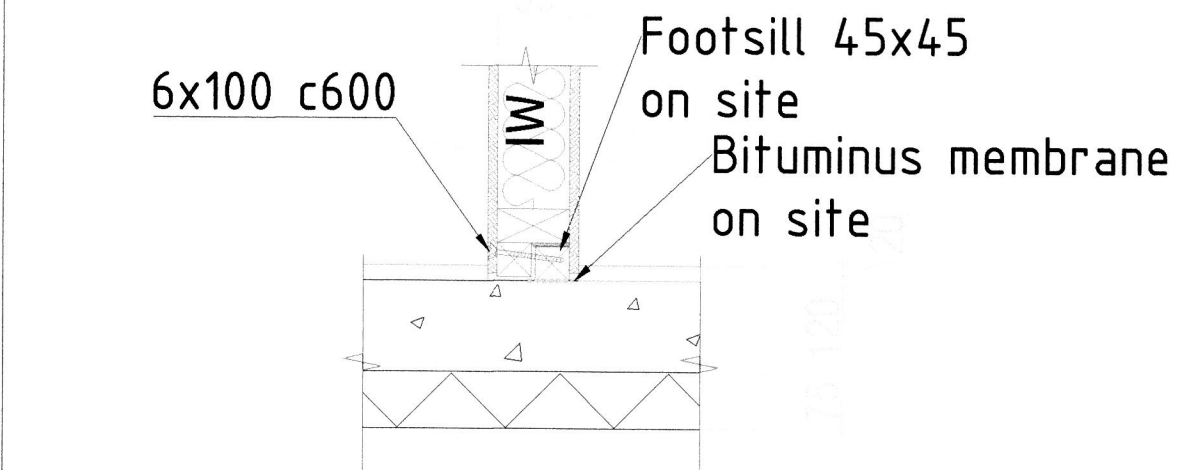
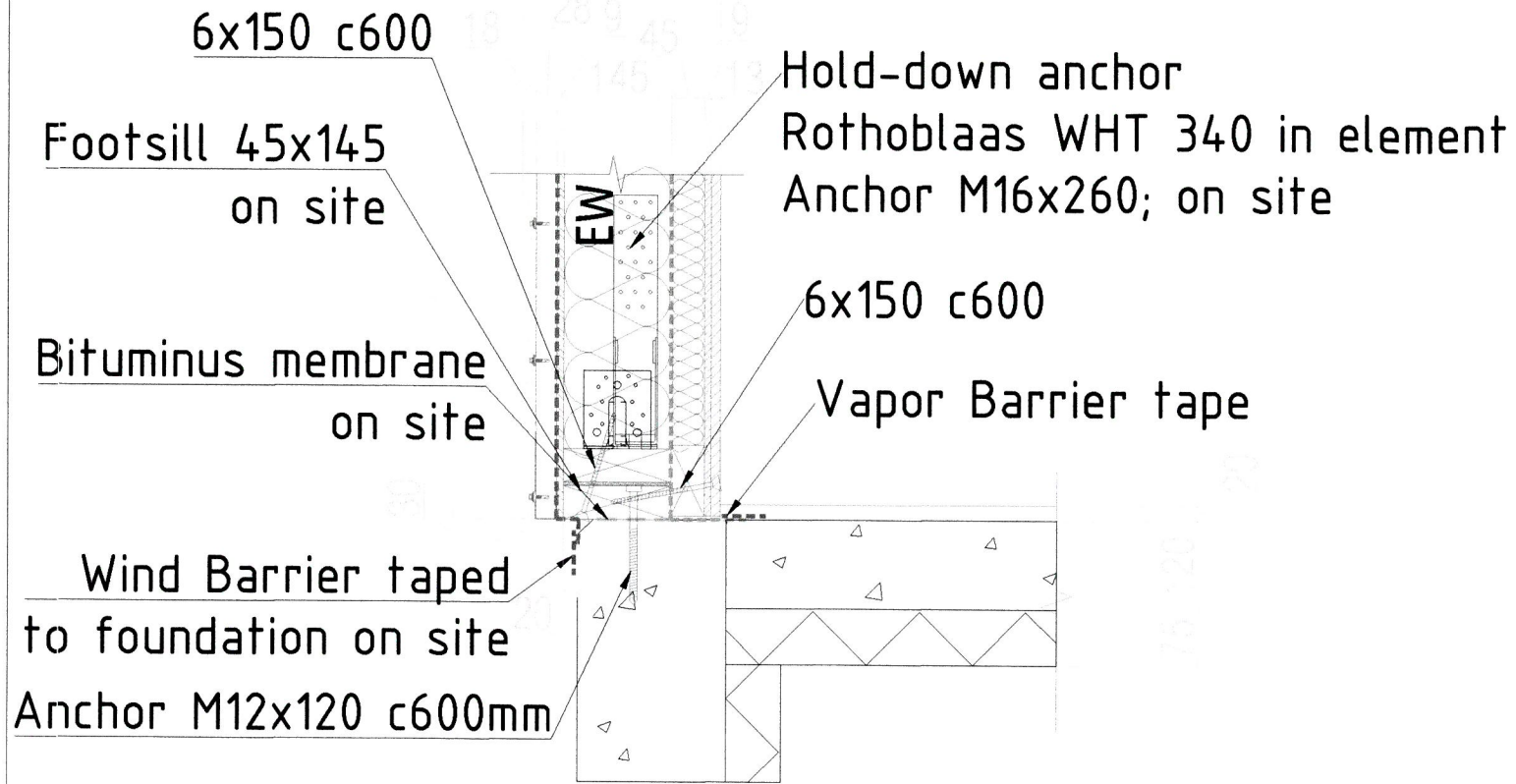
SF VI (right side; looked from outside)



Welement AS Estonia, Tartu, Klaasi 14, 50405
welement.ee
info@welement.ee

PROJECT	CONTRACT NR.	CUSTOMER	REVISION	DATE
Fagurhjöll	1911	-	2	04.11.2019
DRAWING	DRAWING NR.	DESIGNER	DESIGNER	SCALE
-	-	I.Sikk	R.Raig	1:2
				SHEET
				1/1

SF V..VI



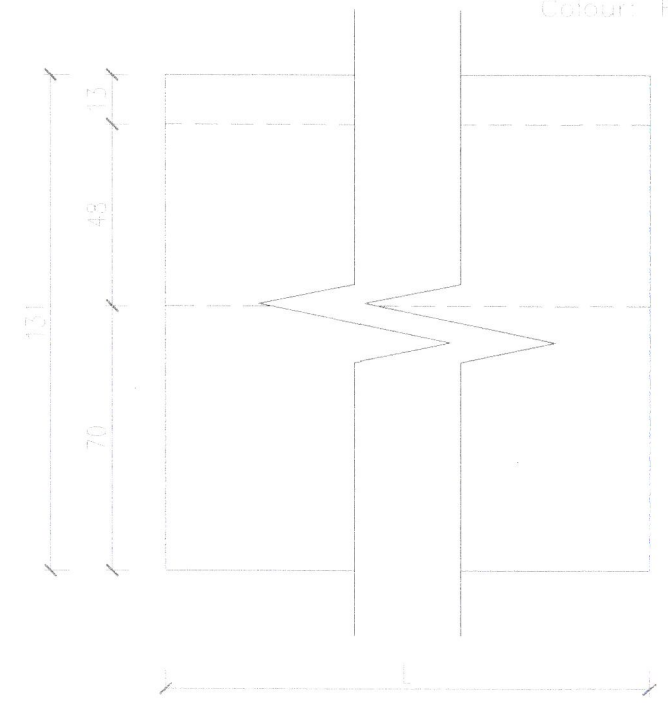
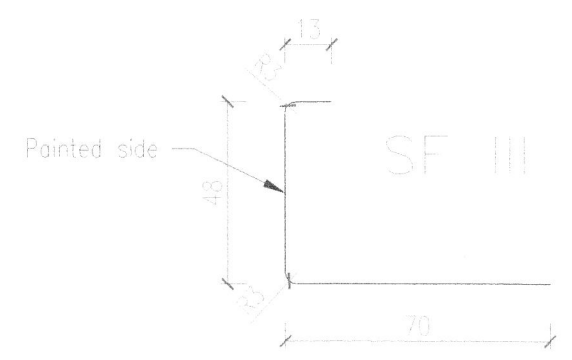
Umhverfis- og tæknisvið
 16. júní 2020

PROJECT	CONTRACT NR.	CUSTOMER	REVISION	DATE
Fagurhjöll	1911	-	1	30.10.2019
DRAWING	DRAWING NR.	DESIGNER	DESIGNER	SCALE
DV 101-103	-	I.Sikk	R.Raig	1:10
				SHEET
				1/1

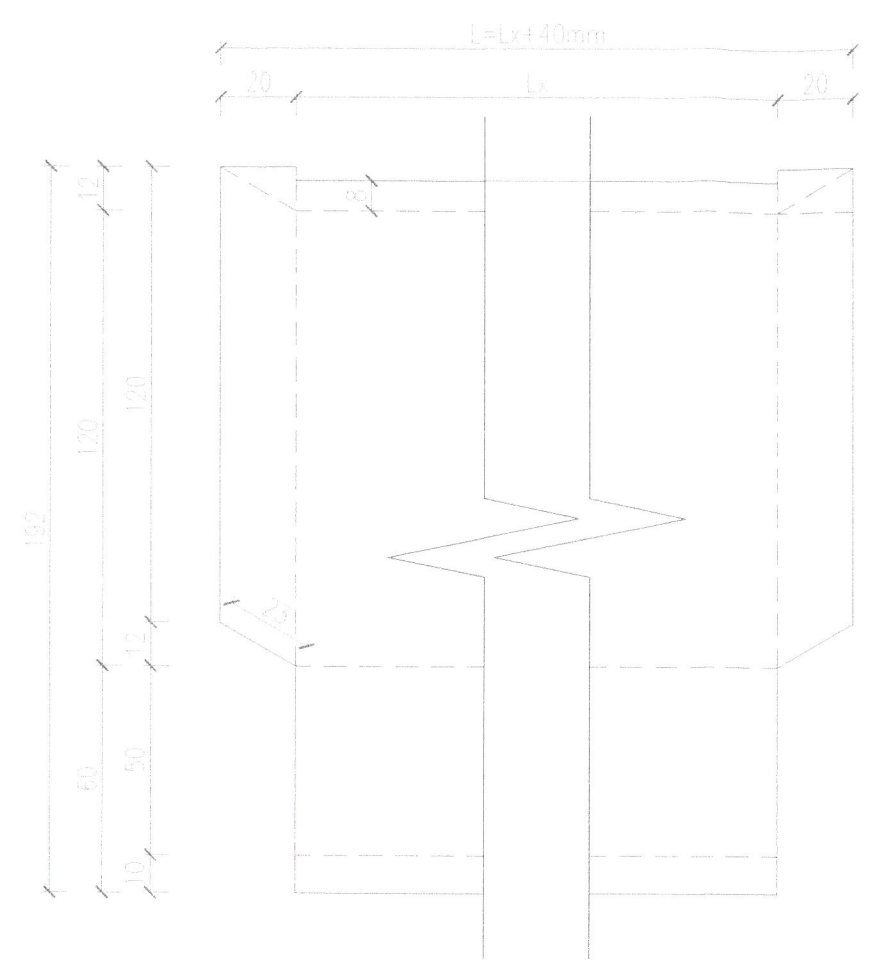
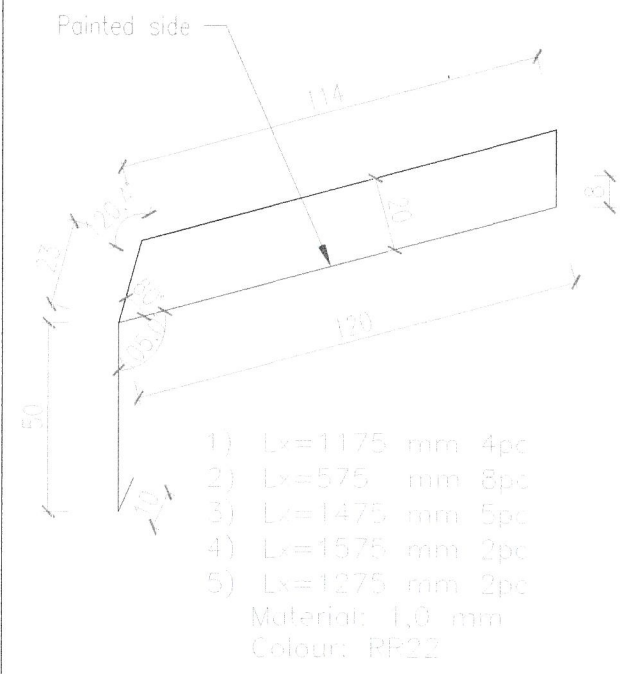
LS

Umhverfis- og tæknisvið
Uppsveita
16. júní 2020
MÓTTEKIÐ

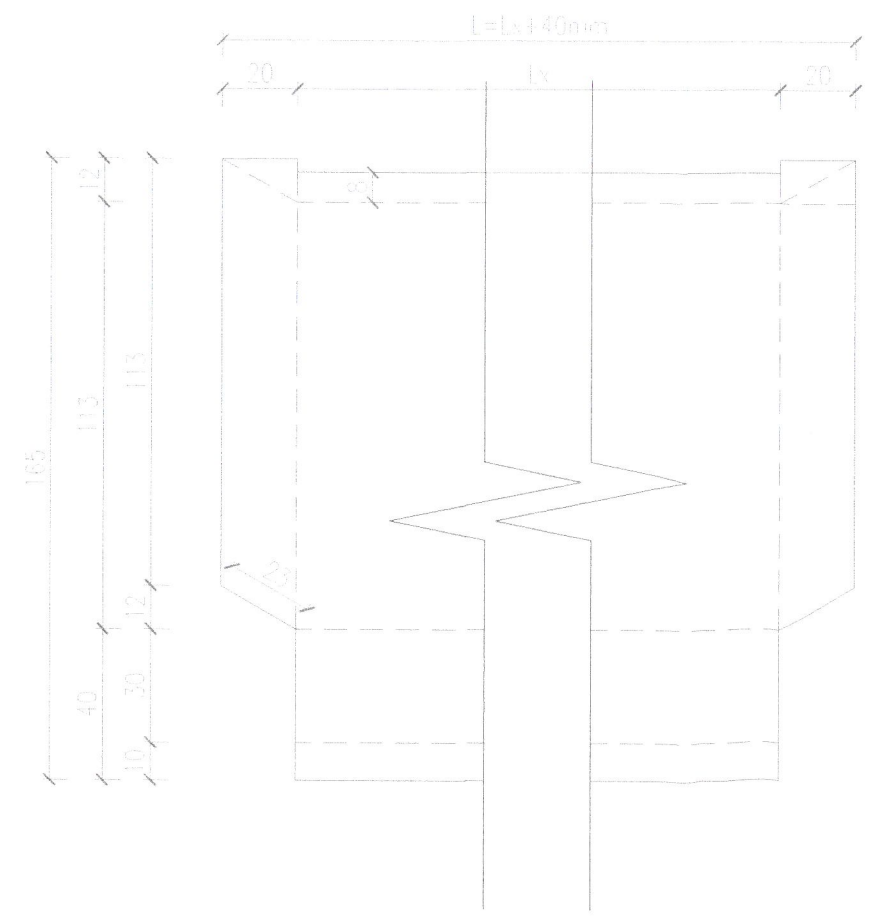
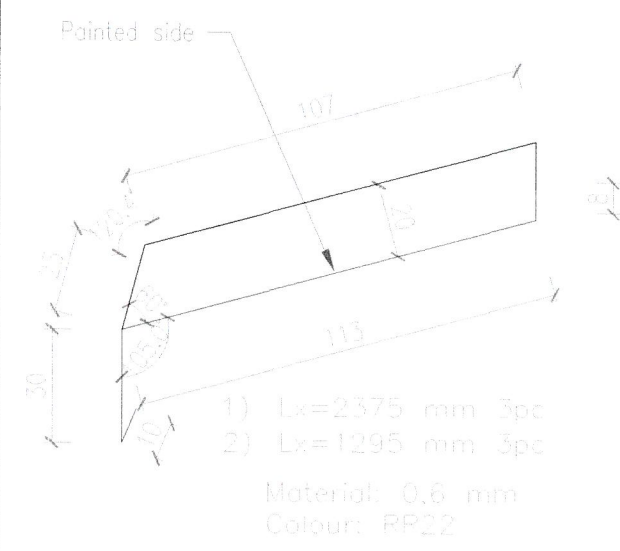
- 1) L=1175 mm 4pc
 - 2) L=575 mm 8pc
 - 3) L=1475 mm 5pc
 - 4) L=1575 mm 2pc
 - 5) L=1275 mm 2pc
- Material: 1,0 mm
Colour: RP22



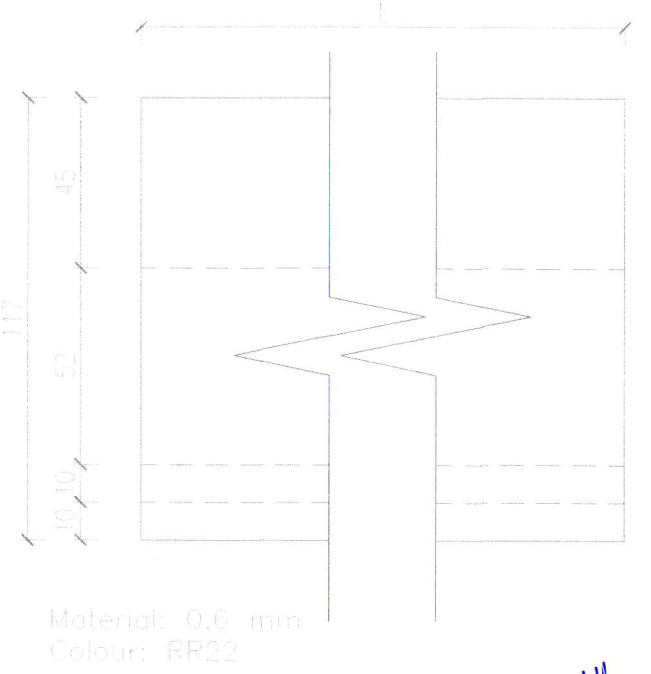
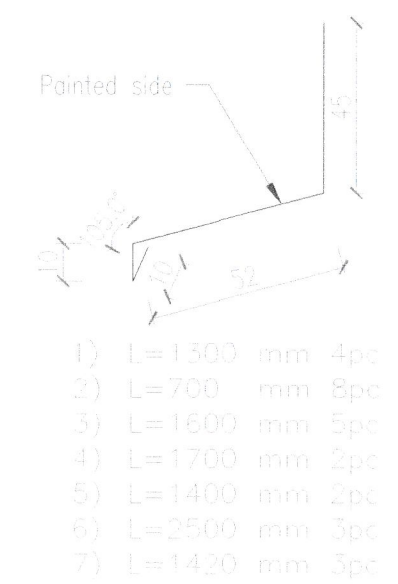
SF I



SF II

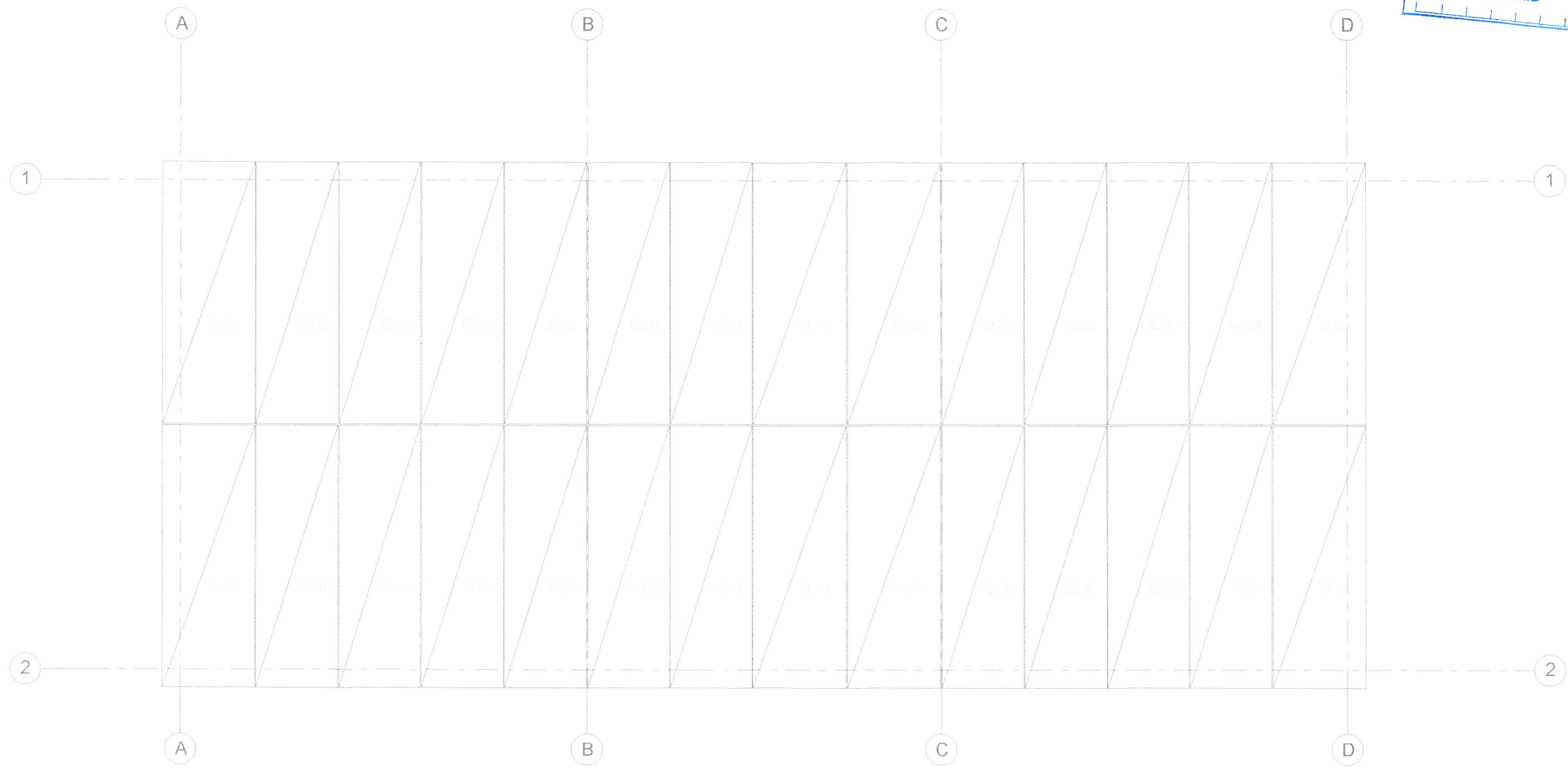


SF IV

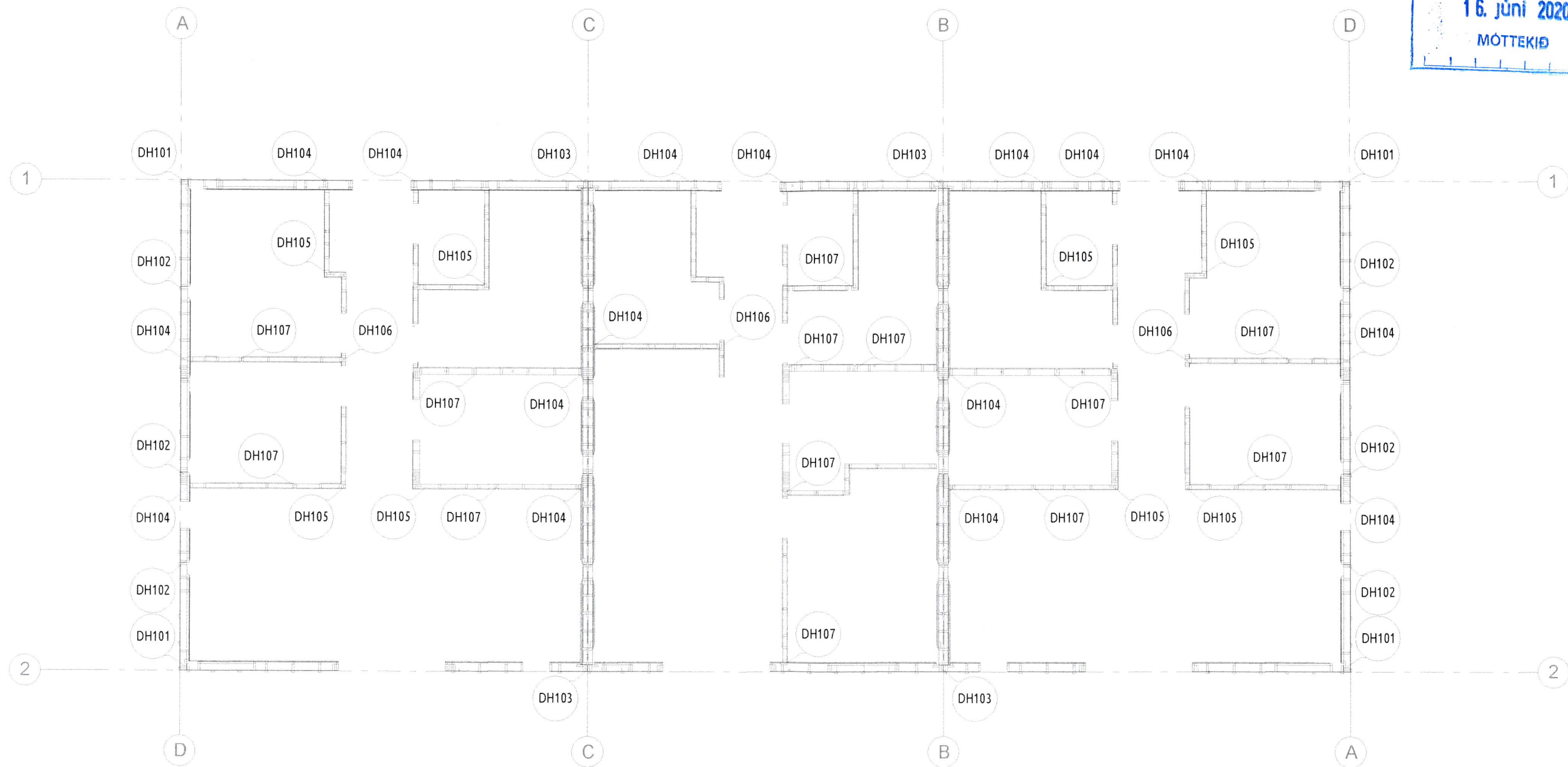


PROJECT	CONTRACT NR.	CUSTOMER	REVISION	DATE
Fagurhjöll	1911	-	2	04.11.2019
DRAWING	DESIGNER	DESIGNER	SCALE	
SF I...IV	--	I.Sikk	R.Raig	1:2
				SHEET
				1/1

Umhverfis- og tæknisvið
Uppsveita
16. júní 2020
MÓTTEKIÐ



Umhverfis- og tæknisvið
Uppsveita
16. júní 2020
MÓTTEKIÐ



Welement AS Estonia, Tartu, Klassi 14, 50405
welement.ee
info@welement.ee

PROJECT	CONTRACT NR.	CUSTOMER	REVISION	DATE
Fagurhjöll	1911	-	1	21.11.2019
DRAWING	DRAWING NR.	DESIGNER	DESIGNER	SCALE
-	-	I.Sikk	R.Raig	1:100
				SHEET
				1/1

Details plan

Handwritten signature or initials in blue ink.

Hold-down anchor
 Rothoblaas WHT 340 in element
 Anchor M16x260 ON SITE

DH101

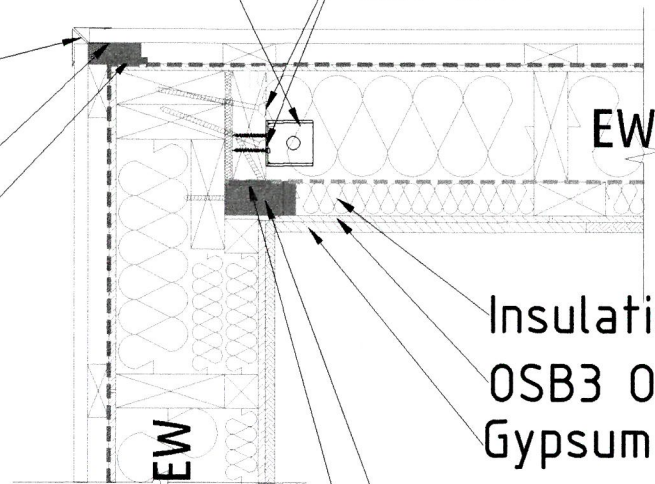
Metal Corner Profile

Batten 28x70 ON SITE

Wind Barrier taped
 under Batten

Vapor Barrier tape

6x150 cc300
 Zik-Zak



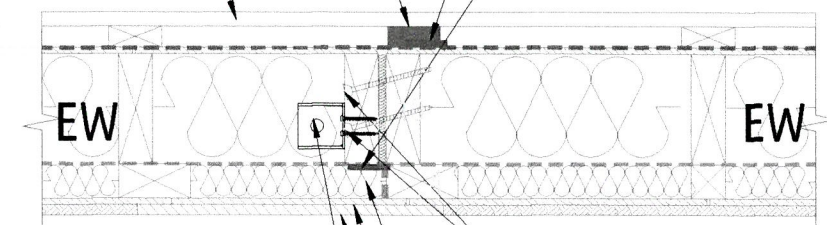
Insulation ON SITE
 OSB3 ON SITE
 Gypsum ON SITE
 Batten 45x95 ON SITE

Batten 28x70 ON SITE
 Facade ON SITE

Wind Barrier taped
 under Batten

Vapor Barrier tape

Umhverfis- og tæknisvið
 Umskipta
 16. júní 2020
 MÖTTEKIÐ



6x120 cc300
 Zik-Zak

Insulation ON SITE
 OSB3 ON SITE
 Gypsum ON SITE

Hold-down anchor
 Rothoblaas WHT 340 in element
 Anchor M16x260 ON SITE

DH102

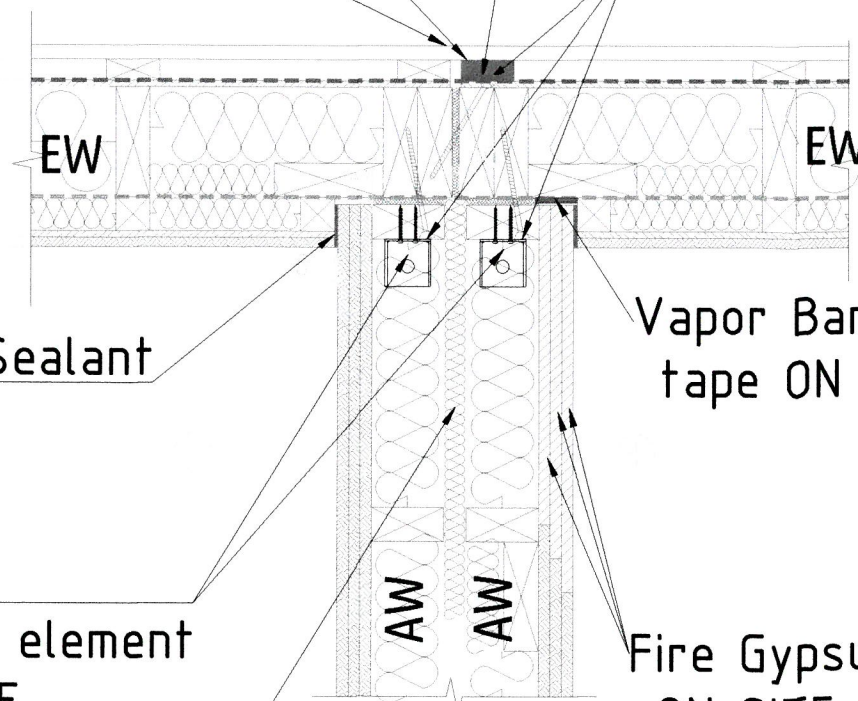
28x70 Batten ON SITE
 Facade ON SITE

Wind Barrier
 taped under Batten
 6x150 cc300

Fire Sealant

Vapor Barrier
 tape ON SITE

Fire Gypsum
 ON SITE

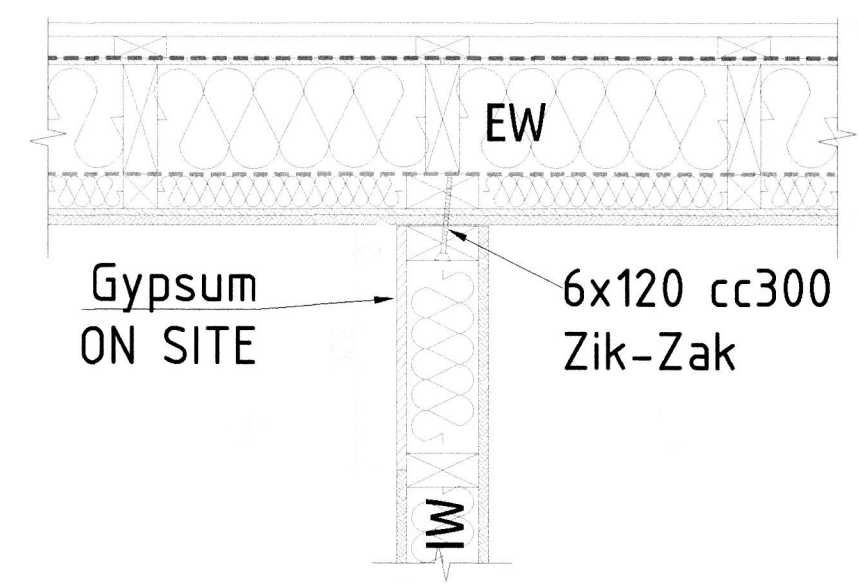


Hold-down anchor
 Rothoblaas WHT 340 in element
 Anchor M16x260 ON SITE

Rockwool 600mm perimeter
 ON SITE

DH103

DH104



Gypsum
 ON SITE

6x120 cc300
 Zik-Zak

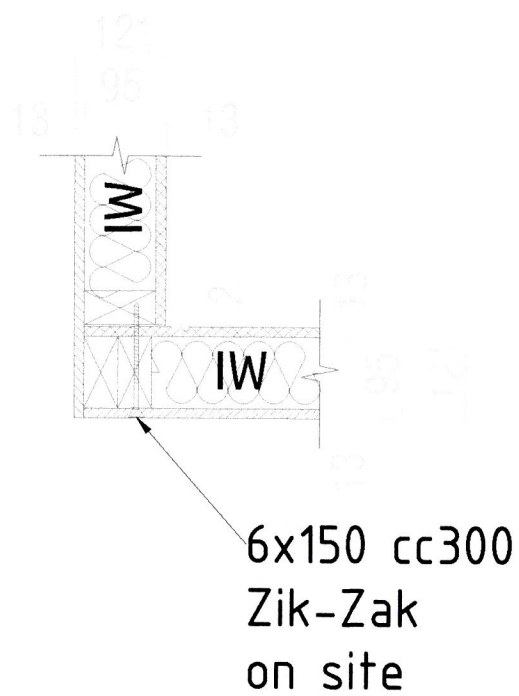
welement

Welement AS Estonia, Tartu, Klaasi 14, 50405
 welement.ee
 info@welement.ee

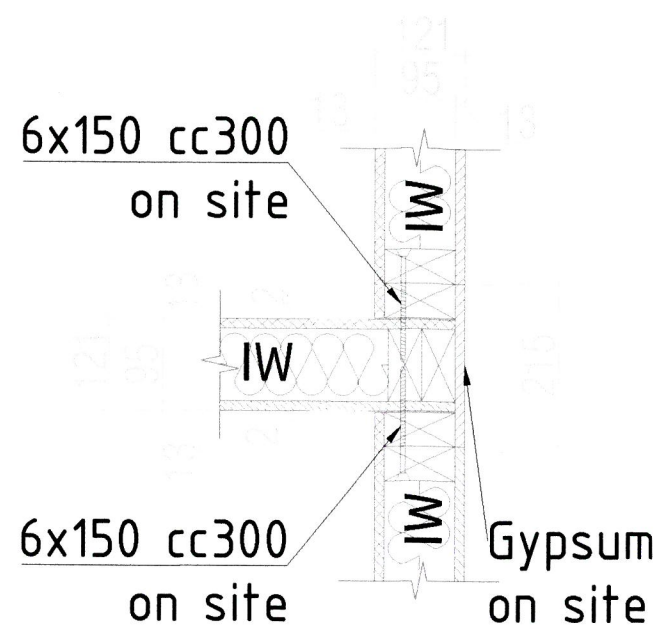
PROJECT	CONTRACT NR.	CUSTOMER	REVISION	DATE
Fagurhjöll	1911	-	1	30.10.2019
DRAWING	DRAWING NR.	DESIGNER	DESIGNER	SCALE
DH 101-104	--	I.Sikk	R.Raig	1:10
				SHEET
				1/1

W

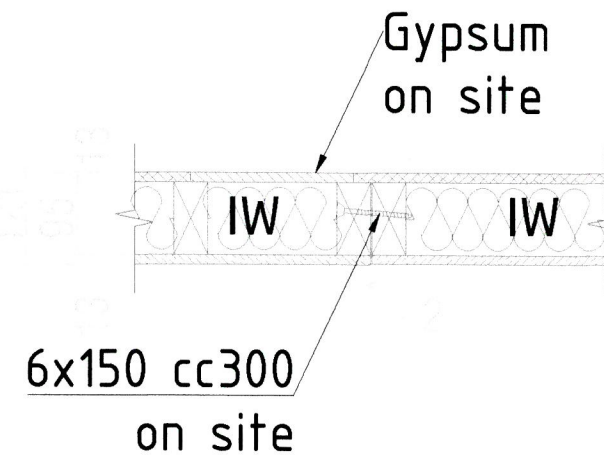
DH105



DH106



DH107



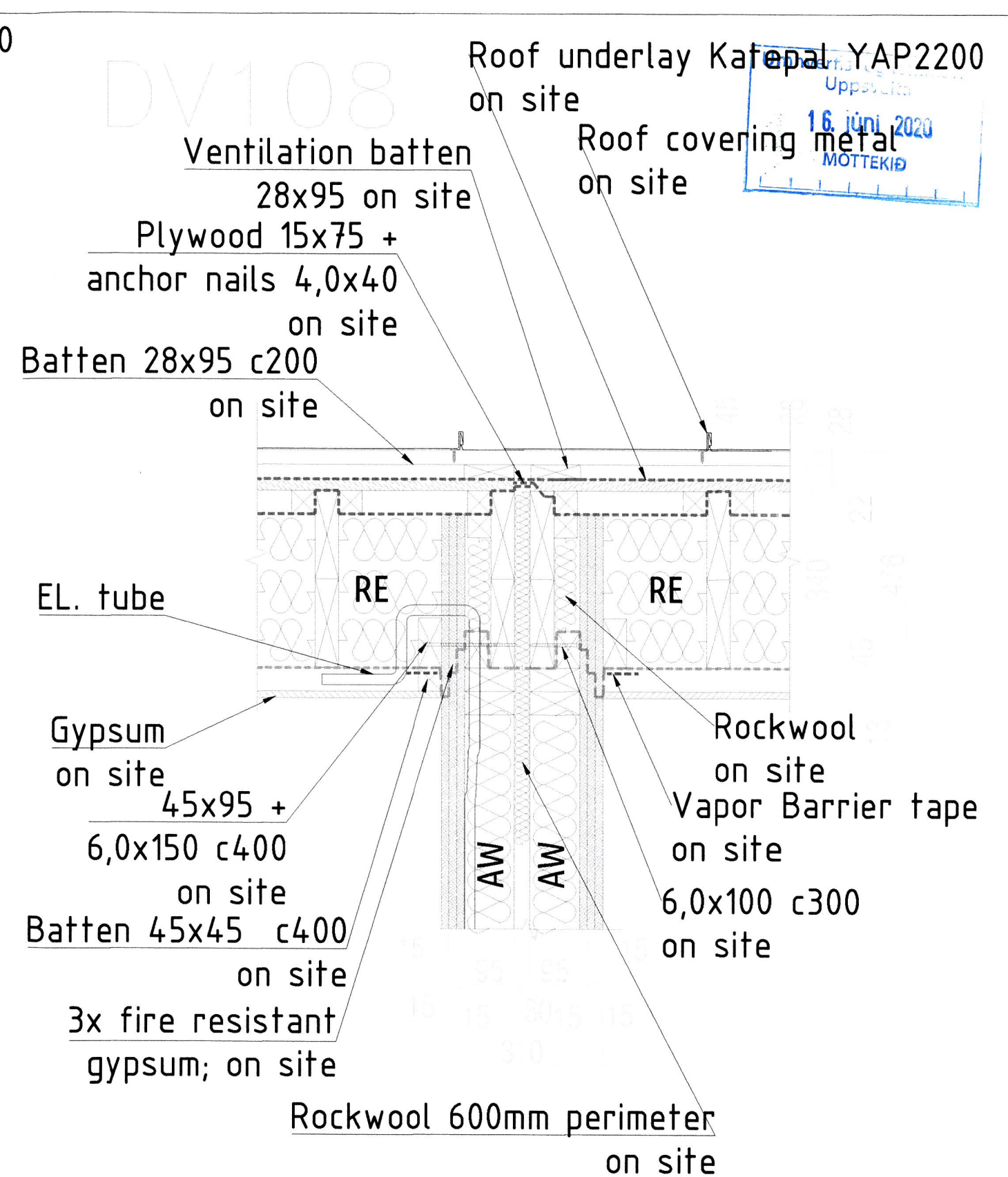
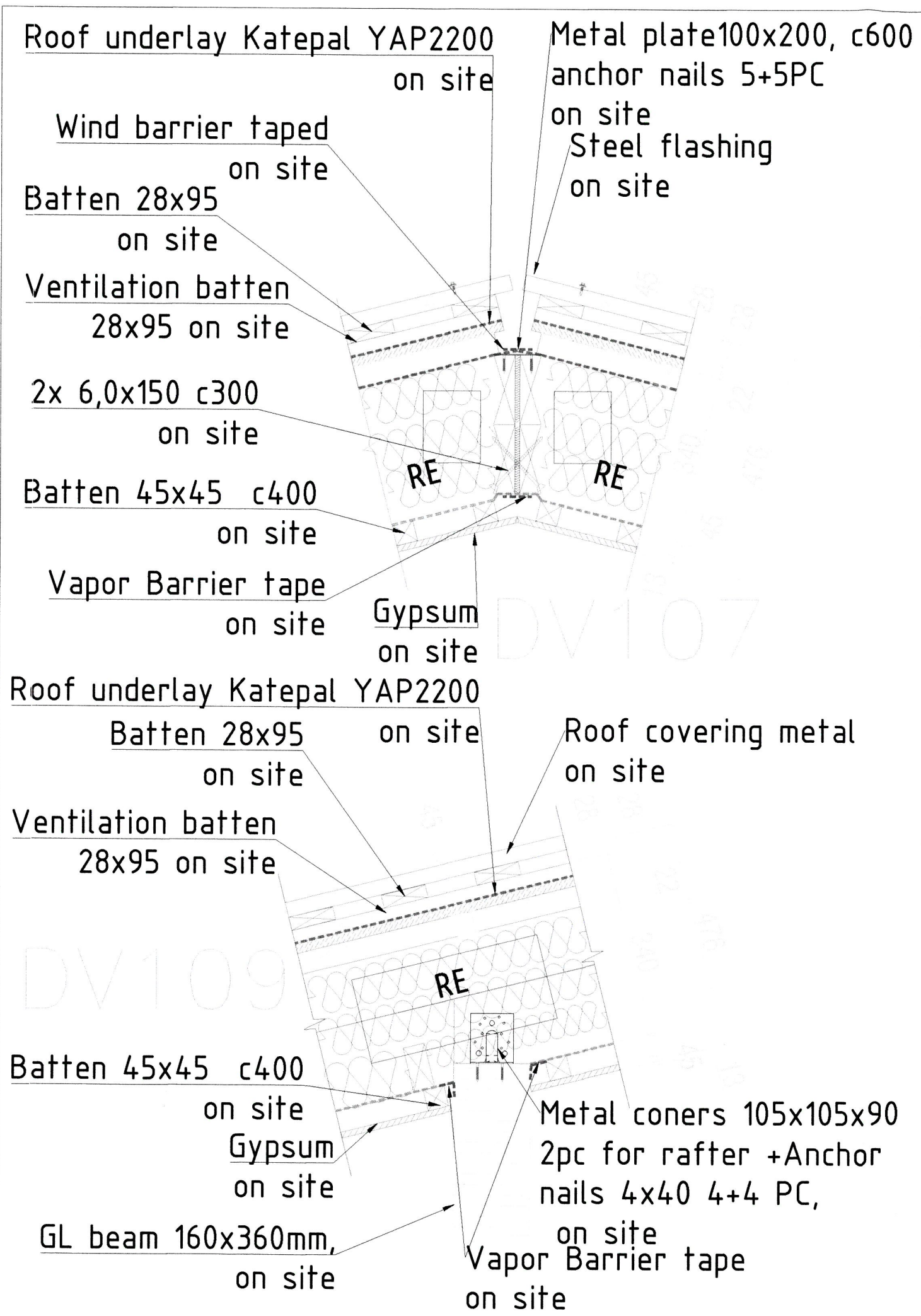
Umhverfis- og tæknisvið
Uppsveita
16. júní 2020
MÖTTEKIÐ



Welement AS Estonia, Tartu, Klaasi 14, 50409
welement.ee
info@welement.ee

PROJECT	CONTRACT NR.	CUSTOMER	REVISION	DATE
Fagurhjöll	1911	-	1	30.10.2019
DRAWING	DRAWING NR.	DESIGNER	DESIGNER	SCALE
DH 105-107	--	I.Sikk	R.Raig	1:10
				SHEET
				1/1

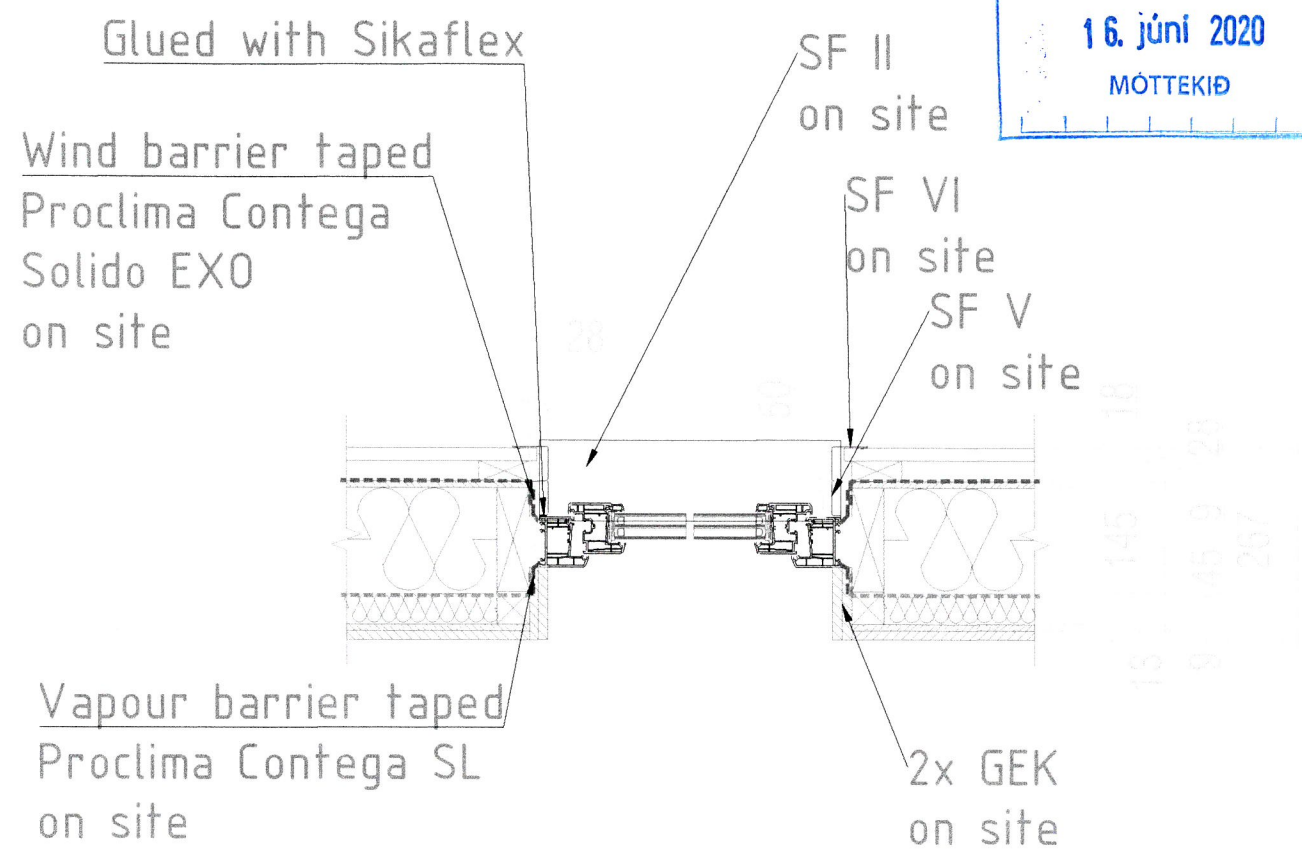
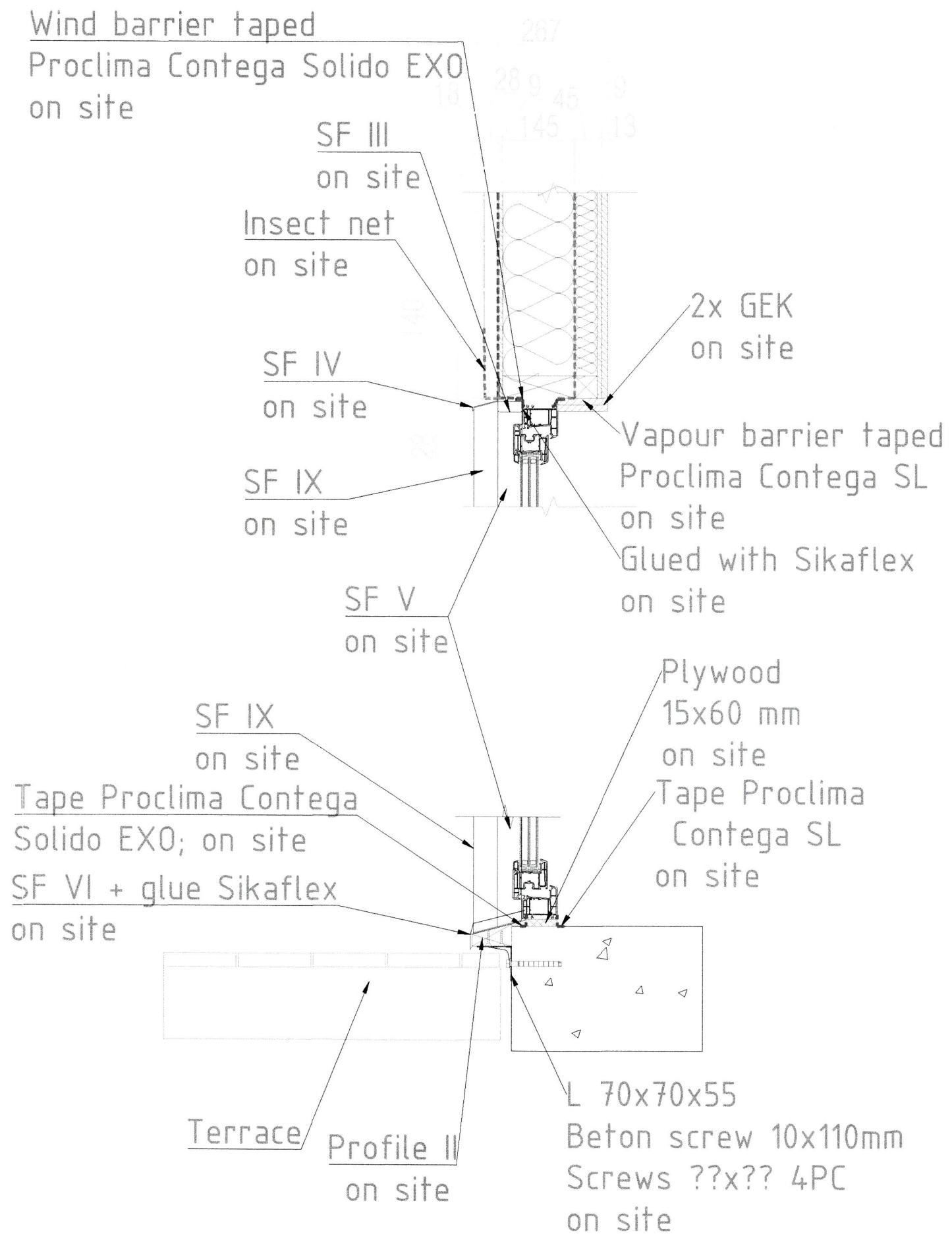
Handwritten signature



16. juuni 2020
MOTTEKID

PROJECT	CONTRACT NR.	CUSTOMER	REVISION	DATE
Fagurhjöll	1911	-	1	30.10.2019
DRAWING	DRAWING NR.	DESIGNER	DESIGNER	SCALE
DV 107-109	-	I.Sikk	R.Raig	1:10
				SHEET
				1/1

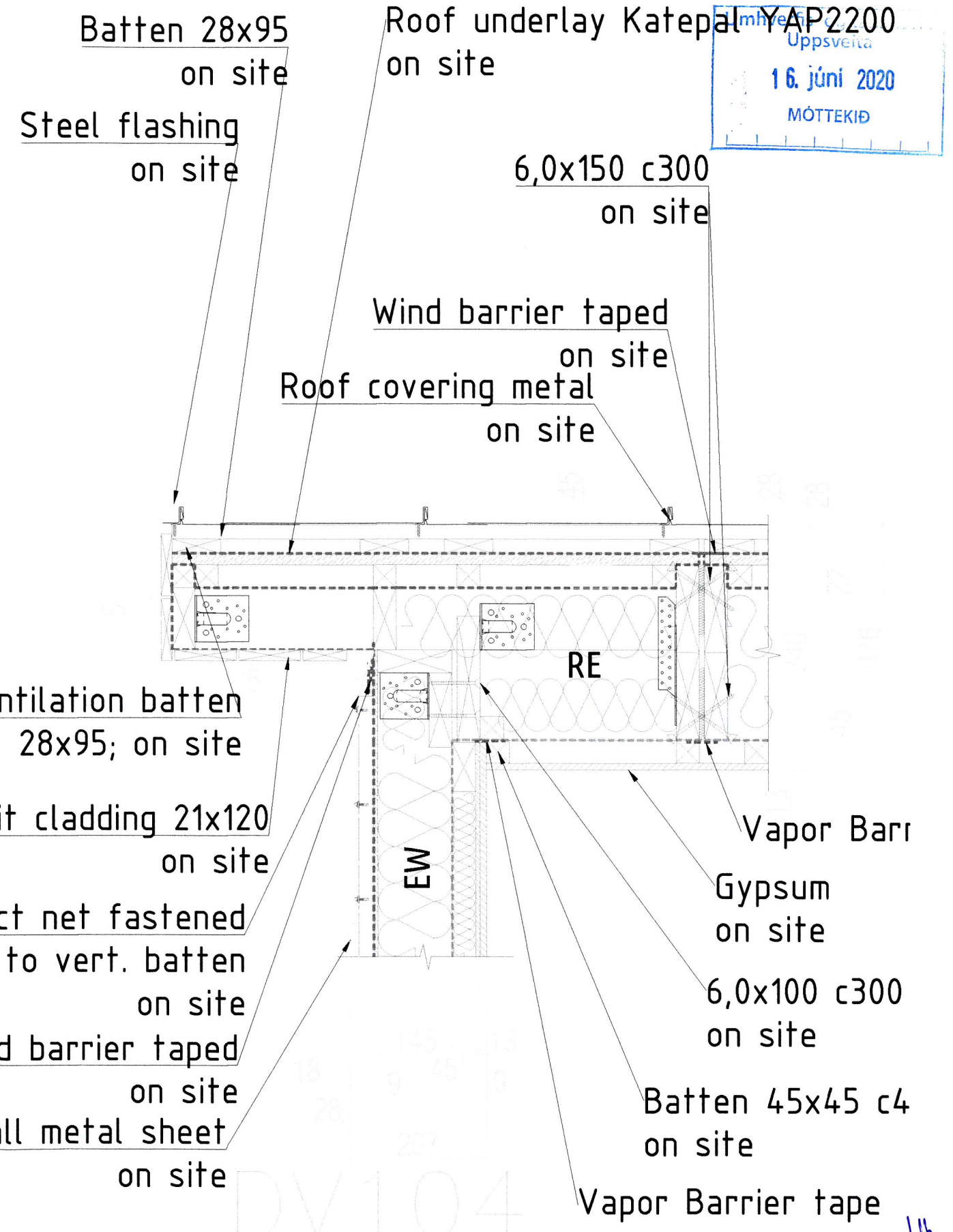
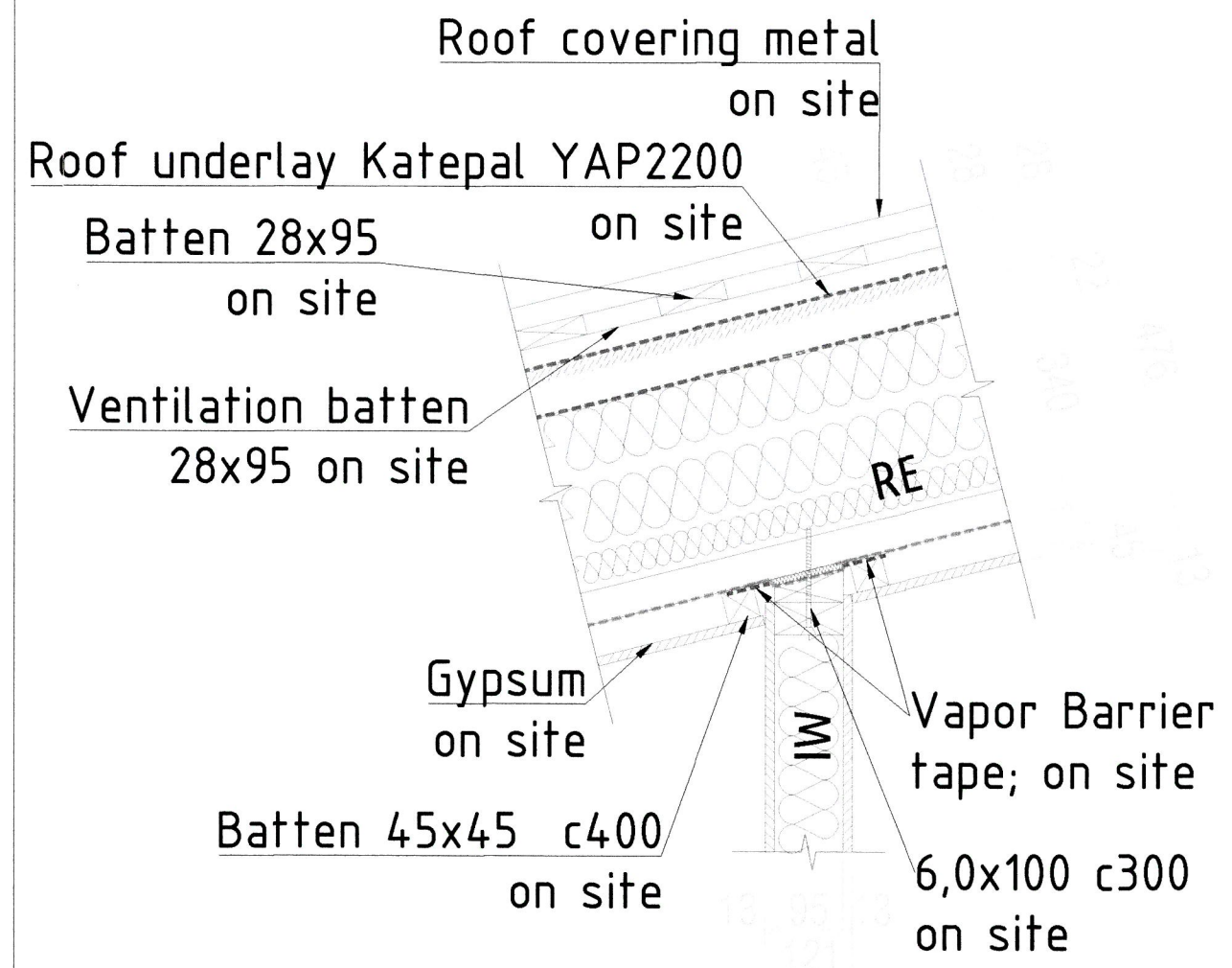
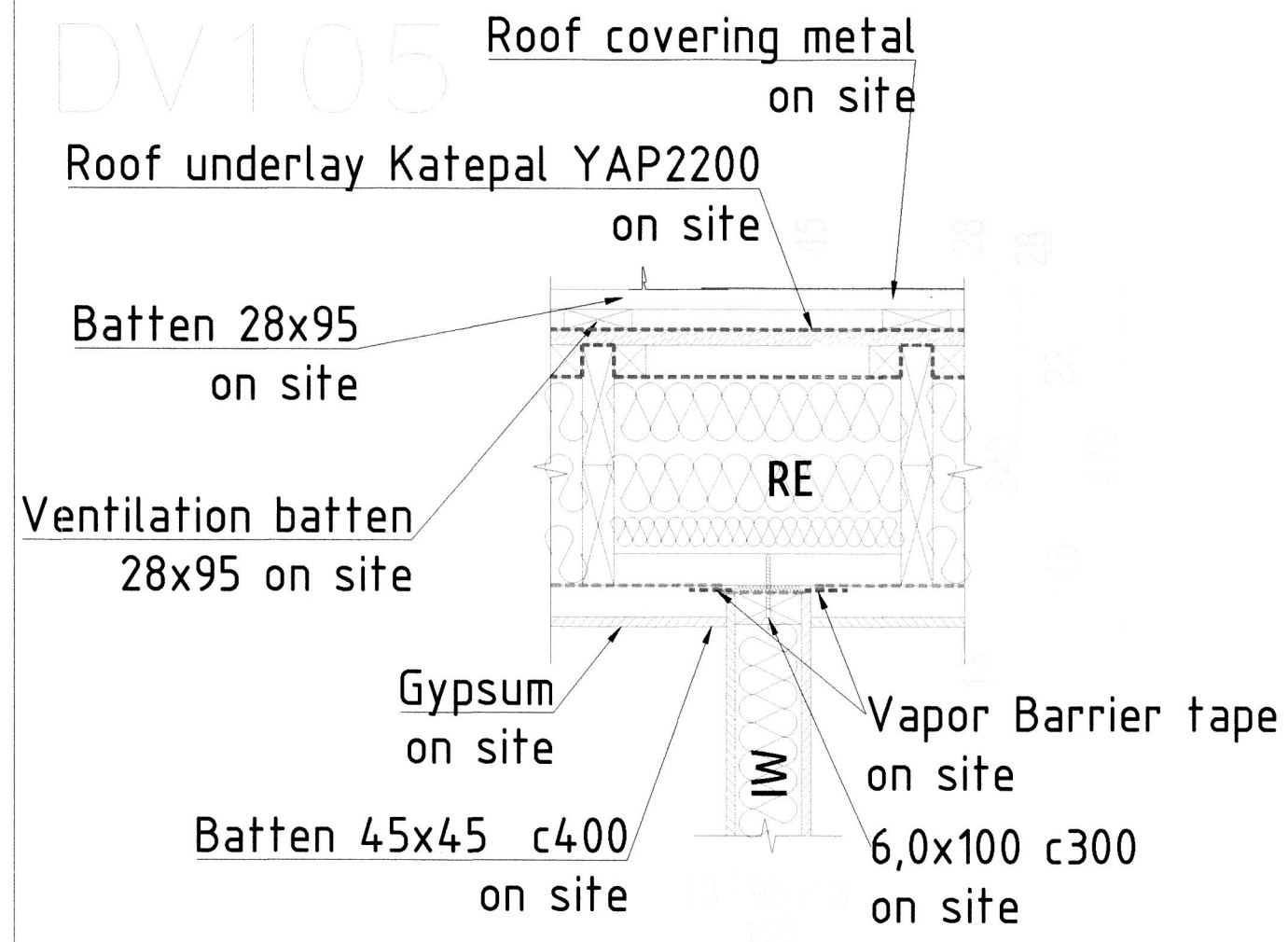
Umhverfis- og tæknisvið
Uppsveita
16. júní 2020
MÖTTEKIÐ



PROJECT	CONTRACT NR.	CUSTOMER	REVISION	DATE
Fagurhjöll	1911	-	1	30.10.2019
DRAWING	DRAWING NR.	DESIGNER	DESIGNER	SCALE
D-Door	-	I.Sikk	R.Raig	1:10
				SHEET
				1/1

CS

DV105



16. jūni 2020
MÖTTEKIÐ

PROJECT	CONTRACT NR.	CUSTOMER	REVISION	DATE
Fagurhjöll	1911	-	1	30.10.2019
DRAWING	DRAWING NR.	DESIGNER	SCALE	SHEET
DV 104-106	-	I.Sikk	R.Raig	1:10
				1/1