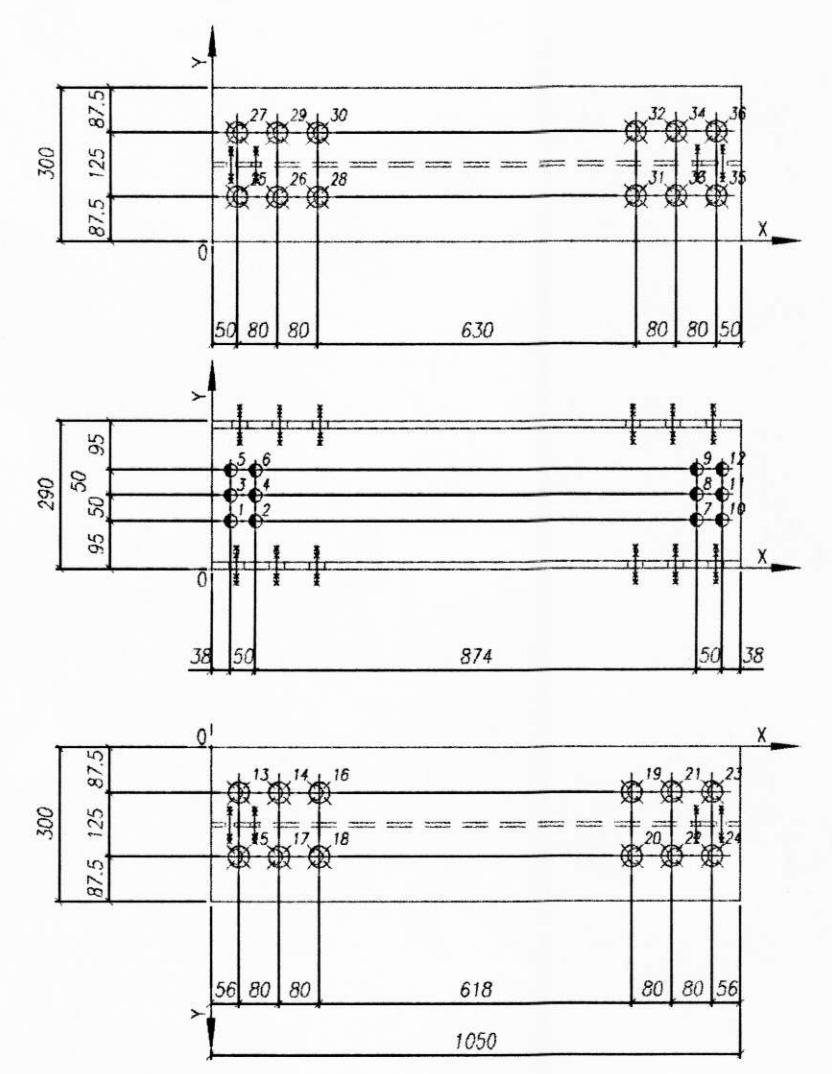


TEKIB PANN  
5 DKT. 2004  
BYGGINGAFDELING  
RELEVANS



SEQUENCE HOLE	COORD X	COORD Y	DIAMETER HOLE
1	25.0	25.0	18.0
2	55.0	25.0	18.0
3	85.0	25.0	18.0
4	115.0	25.0	18.0
5	145.0	25.0	18.0
6	175.0	25.0	18.0
7	205.0	25.0	18.0
8	235.0	25.0	18.0
9	265.0	25.0	18.0
10	295.0	25.0	18.0
11	325.0	25.0	18.0
12	355.0	25.0	18.0
13	385.0	25.0	18.0
14	415.0	25.0	18.0
15	445.0	25.0	18.0
16	475.0	25.0	18.0
17	505.0	25.0	18.0
18	535.0	25.0	18.0
19	565.0	25.0	18.0
20	595.0	25.0	18.0
21	625.0	25.0	18.0
22	655.0	25.0	18.0
23	685.0	25.0	18.0
24	715.0	25.0	18.0
25	745.0	25.0	18.0
26	775.0	25.0	18.0
27	805.0	25.0	18.0
28	835.0	25.0	18.0
29	865.0	25.0	18.0
30	895.0	25.0	18.0
31	925.0	25.0	18.0
32	955.0	25.0	18.0
33	985.0	25.0	18.0
34	1015.0	25.0	18.0
35	1045.0	25.0	18.0
36	1075.0	25.0	18.0
37	1105.0	25.0	18.0
38	1135.0	25.0	18.0
39	1165.0	25.0	18.0
40	1195.0	25.0	18.0
41	1225.0	25.0	18.0
42	1255.0	25.0	18.0
43	1285.0	25.0	18.0
44	1315.0	25.0	18.0
45	1345.0	25.0	18.0
46	1375.0	25.0	18.0
47	1405.0	25.0	18.0
48	1435.0	25.0	18.0
49	1465.0	25.0	18.0
50	1495.0	25.0	18.0
51	1525.0	25.0	18.0
52	1555.0	25.0	18.0
53	1585.0	25.0	18.0
54	1615.0	25.0	18.0
55	1645.0	25.0	18.0
56	1675.0	25.0	18.0
57	1705.0	25.0	18.0
58	1735.0	25.0	18.0
59	1765.0	25.0	18.0
60	1795.0	25.0	18.0
61	1825.0	25.0	18.0
62	1855.0	25.0	18.0
63	1885.0	25.0	18.0
64	1915.0	25.0	18.0
65	1945.0	25.0	18.0
66	1975.0	25.0	18.0
67	2005.0	25.0	18.0
68	2035.0	25.0	18.0
69	2065.0	25.0	18.0
70	2095.0	25.0	18.0
71	2125.0	25.0	18.0
72	2155.0	25.0	18.0
73	2185.0	25.0	18.0
74	2215.0	25.0	18.0
75	2245.0	25.0	18.0
76	2275.0	25.0	18.0
77	2305.0	25.0	18.0
78	2335.0	25.0	18.0
79	2365.0	25.0	18.0
80	2395.0	25.0	18.0
81	2425.0	25.0	18.0
82	2455.0	25.0	18.0
83	2485.0	25.0	18.0
84	2515.0	25.0	18.0
85	2545.0	25.0	18.0
86	2575.0	25.0	18.0
87	2605.0	25.0	18.0
88	2635.0	25.0	18.0
89	2665.0	25.0	18.0
90	2695.0	25.0	18.0
91	2725.0	25.0	18.0
92	2755.0	25.0	18.0
93	2785.0	25.0	18.0
94	2815.0	25.0	18.0
95	2845.0	25.0	18.0
96	2875.0	25.0	18.0
97	2905.0	25.0	18.0
98	2935.0	25.0	18.0
99	2965.0	25.0	18.0
100	2995.0	25.0	18.0

